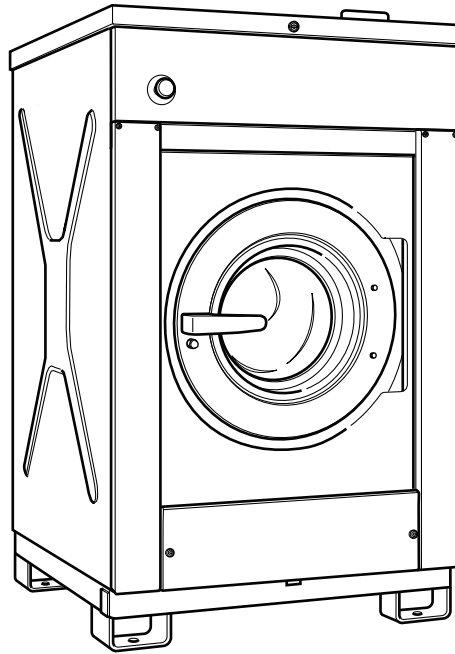


# Washer-Extractor

Cabinet Freestanding  
Refer to Page 3 for Model Numbers



CFD30C\_D1359



# Table of Contents

Title	Page
Parts Ordering Information.....	2
Serial Plate Location .....	2
Model Identification .....	3
Cabinet Freestanding Washer-Extractor Product Overview .....	4
Frame.....	6
Shock Absorber .....	8
Shell and Basket .....	10
Bearing Housing .....	12
Basket, Pulley and Belt .....	14
Motor and Belt.....	16
Drain Plumbing .....	18
Door Lock.....	20
Door .....	22
Control Panel - Cygnus Professional .....	24
Control Panel - PRO .....	26
Control Panel - Cygnus Ultra Pro.....	28
Control Panel - Cygnus Premium OPL and Ultra.....	30
Control Panel - Cygnus Premium Coin .....	32
Control Panel - Cygnus Standard/Commercial OPL.....	34
Control Panel - Cygnus Vended and Cygnus Standard/Commercial Vended .....	36
Control Panel - STANDARD OPL .....	38
Control Panel - STANDARD Vended.....	40
Control Panel - WE-8 .....	42
Control Panel - B-Series .....	44
Coin Drop - Mechanical Coin Meter .....	46
Coin Drop - Electronic Coin Meter .....	48
Right Side, Front, Lower Rear and Top Panels .....	50
Left Side, Lower Front and Upper Rear Panels .....	52
Inverter Drive .....	54
Printboard Support Panel and Soap Injection Printboards - Cygnus, PRO and STANDARD Models .....	56
Printboard Support Panel and Soap Injection Printboards - WE-8 and B-Series Models .....	58
Electrical Component Mounting Plate - Cygnus, PRO and STANDARD Models .....	60
Electrical Component Mounting Plate - WE-8 and B-Series Models .....	62
Balance Switch .....	64
Fill Plumbing Assembly .....	66
Electric and Steam Heating Options .....	68
Parts Index.....	71

© Copyright 2017, Alliance Laundry Systems LLC

All rights reserved. No part of the contents of this book may be reproduced or transmitted in any form or by any means without the expressed written consent of the publisher.

## Parts Ordering Information

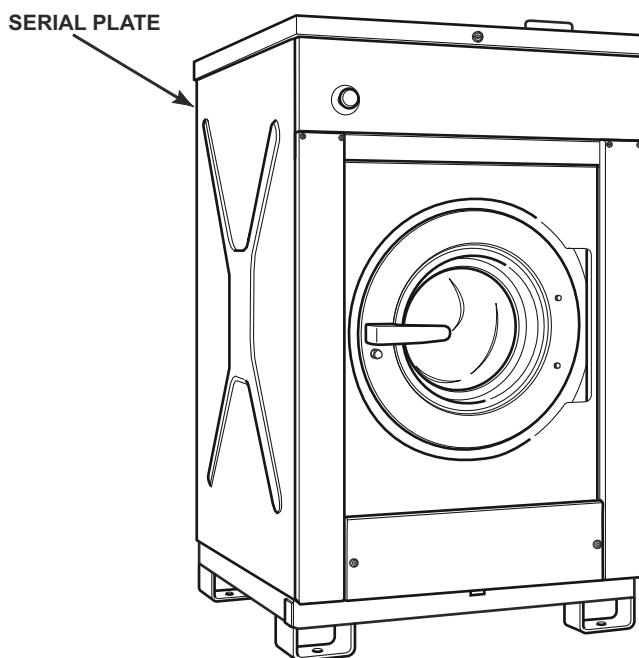
If literature or replacement parts are required, contact the source from whom the machine was purchased or contact Alliance Laundry Systems at (920) 748-3950 for the name and address of the

nearest authorized parts distributor.

For technical assistance, the number listed below:  
(920) 748-3121 Ripon, Wisconsin

## Serial Plate Location

When calling or writing about your product, be sure to mention model and serial numbers. Model and serial numbers are located on serial plate(s) as shown.



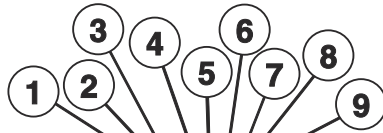
CFD30CA\_D1359

## Model Identification


Information in this manual is applicable to these washer-extractor models:

CS035_CYGNUS-ULTRA	CXU135X	IXN135C	JXW135C	UX135Z
CS035_ULTRA-PRO	CXU135Z	IXN135X	JXW135Y	UX165Z
HD135_CYGNUS-COMM	CXU165X	IXN135Y	JXW135Z	UXA165P
HD135_CYGNUS-PREM	CXU165Z	IXN135Z	JXW165C	UXE030Z
HD135_CYGNUS-PRO	CXW135X	IXN165C	JXW165X	UXE035P
HD135_CYGNUS-STANDARD	CXW135Z	IXN165U	JXW165Y	UXE035Z
HD165_CYGNUS-COMM	CXW165X	IXN165V	JXW165Z	UXG135Z
HD165_CYGNUS-PREM	CXW165Z	IXN165X	PXU135Y	UXG165P
HD165_CYGNUS-PRO	CXY035X	IXN165Y	PXU165Y	UXG165Z
HD165_CYGNUS-STANDARD	CXY035Z	IXN165Z	SX135Z	UXN165P
HX30_B-CONTROL	CXZ135X	IXR035R	SX165Z	UXR035P
HX35_B-CONTROL	CXZ135Z	IXR035U	SXA135P	UXU135P
HX35_WE-8	CXZ165X	IXU135C	SXA165B	UXU135Z
IS035_CYGNUS-ULTRA	CXZ165Z	IXU135X	SXA165P	UXU165P
IS035_CYGNUS-VENDED	DXU135X	IXU135Y	SXE030C	UXU165Z
IS035_ULTRA-PRO	DXU165X	IXU135Z	SXE030Z	UXW135Z
SX030_PRO	EXU135X	IXU165C	SXE035C	UXW165P
SX030_STANDARD	EXU165X	IXU165X	SXE035P	UXW165Z
SX035_PRO	HXA135B	IXU165Y	SXE035Z	UXY030Z
SX035_STANDARD	HXA165B	IXU165Z	SXG135Z	UXY035P
SX30_B-CONTROL	HXA165P	IXW135C	SXG165P	UXY035Z
SX35_B-CONTROL	HXE035P	IXW135X	SXG165Z	UXZ135Z
SX35_WE-8	HXG165P	IXW135Y	SXN135B	UXZ165P
SX135_PRO	HXN135B	IXW135Z	SXN165B	UXZ165Z
SX165_PRO	HXN165B	IXW165C	SXN165P	WXU135C
UX030_PRO	HXN165P	IXW165X	SXR035P	WXU165C
UX035_PRO	HXR035P	IXW165Y	SXU135Z	
UX30_WE-8	HXU165P	IXW165Z	SXU165P	
UX35_WE-8	HXW165P	IXY030C	SXU165Z	
UX135_PRO	HXY030B	IXY030X	SXW135Z	
UX165_PRO	HXY035B	IXY030Y	SXW165P	
CXE030X	HXY035P	IXY030Z	SXW165Z	
CXE030Z	HXZ165P	IXY035C	SXY030B	
CXE035X	IXA135C	IXY035X	SXY030Z	
CXE035Z	IXA135X	IXY035Y	SXY035B	
CXG135X	IXA135Y	IXY035Z	SXY035P	
CXG135Z	IXA135Z	IXZ135C	SXY035Z	
CXG165X	IXA165C	IXZ135X	SXZ135Z	
CXG165Z	IXA165X	IXZ135Y	SXZ165P	
CXN135X	IXA165Y	IXZ135Z	SXZ165Z	
CXN135Z	IXA165Z	IXZ165C		
CXN165U	IXG135C	IXZ165X		
CXN165X	IXG135X	IXZ165Y		
CXN165Z	IXG135Y	IXZ165Z		
CXR030X	IXG135Z			
CXR030Z	IXG165C			
CXR035R	IXG165X			
CXR035U	IXG165Y			
CXR035X	IXG165Z			
CXR035Z				


# Cabinet Freestanding Washer-Extractor Product Overview

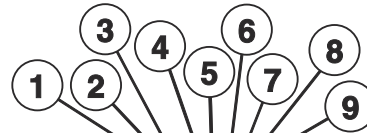


Model No: <b>IXU135XNCUQE</b>	Serial No: 12090AE0036
Volts: 380-415V	Type: HD135
Hertz: 50(60)Hz	<b>1</b> <b>3</b>
Phase: 3+N	Capacity: 30/13.2 lbs/kg
Amps: 24.3 amps	Water 28-85 psi
Recommended Circuit Breaker: 25 amps	Pressure: 2-6 bar
Electrical Heating: 12-14. kW	Max Speed: 1000 rpm
Steam Heat: N/A psi	Net Weight: 788 lbs
Sound Level: 62/73 dBA	Heat: N/A bar
	Net Weight: 358 kg
	IPX4
	sfc 807393




**Alliance International BVBA**  
Nieuwstraat 146  
8560 Weveigem  
Belgium  
Tel: +32 56 41 20 54  
Fax: +32 56 41 86 74  
www.ipso.be  
Country of origin: Belgium





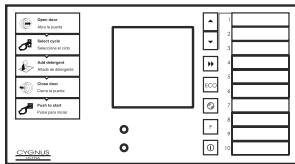
Model No: <b>IHN185SNLXUOP</b>	Serial No: 1209BG0043
Volts: 200-240V	Type: WD185
Hertz: 60(50)Hz	<b>1</b> <b>3</b>
Phase: 1	Capacity: 40/18.2 lbs/kg
Amps: 3.5 amps	Water 28-85 psi
Recommended Circuit Breaker: 15 amps	Pressure: 2-6 bar
Electrical Heating: N/A kW	Max Speed: 470 rpm
Steam Heat: N/A psi	Net Weight: 618 lbs
Sound Level: 62/73 dBA	Heat: N/A bar
	Net Weight: 281 kg
	IPX4
	sfc 807410



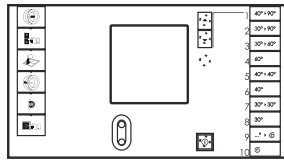
**Alliance International BVBA**  
Nieuwstraat 146  
8560 Weveigem  
Belgium  
Tel: +32 56 41 20 54  
Fax: +32 56 41 86 74  
www.ipso.be  
Country of origin: Belgium



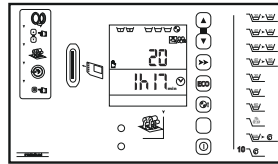
**ETL US**  
100760 LISTED  
CONFORMS TO ANSIUL STD 2157  
CERTIFIED TO CAN/CSA STD 222.2 NO.109-04



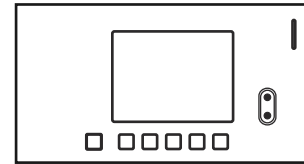
**Cygnus Ultra**



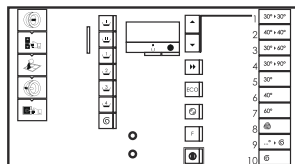
**Cygnus Premium Coin**



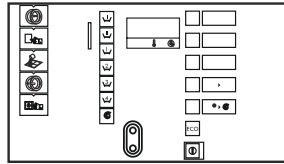
**Cygnus Premium OPL**



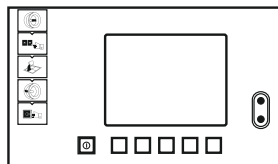
**Pro**



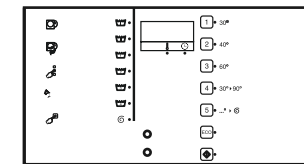
**Cygnus Commercial**



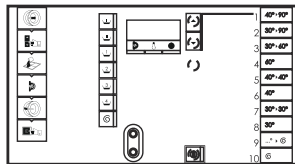
**Cygnus Standard OPL**



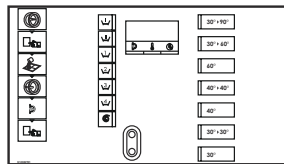
**Cygnus Professional**



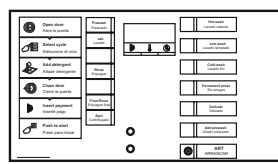
**Standard**



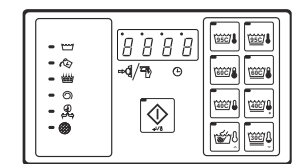
**Cygnus Commercial Vended**



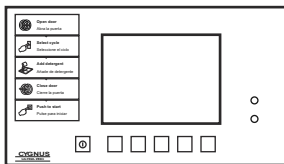
**Cygnus Standard Vended**



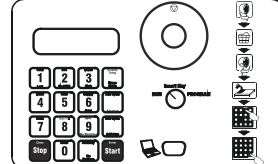
**Cygnus Vended**



**B - Series**



**Cygnus Ultra Pro**



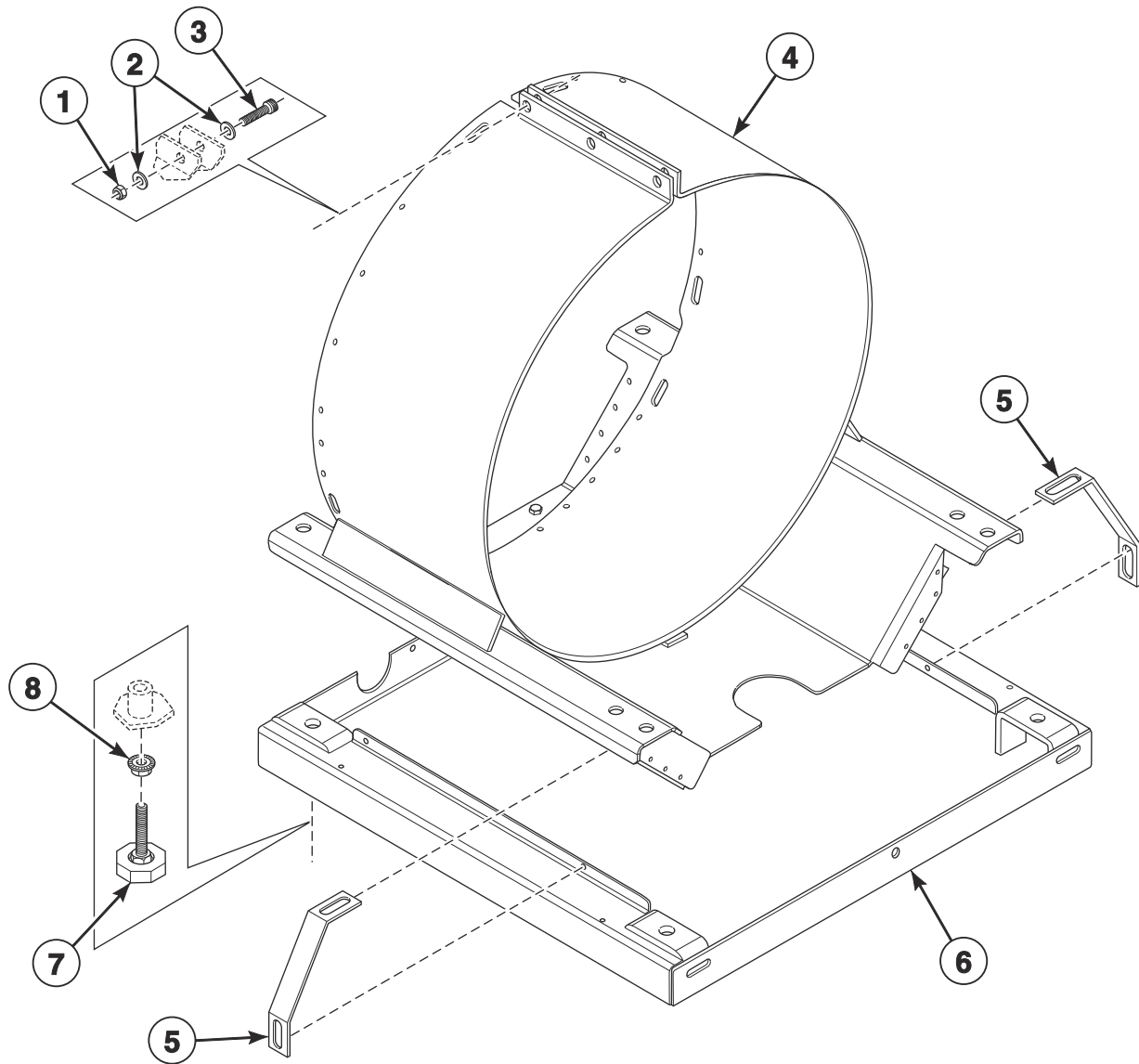
**WE-8**

CFD2470P\_D1359

# Cabinet Freestanding Washer-Extractor Product Overview

REF	PART NO.	DESCRIPTION	COMMENTS
1	-	Product Family	CS CX DX EX HD HX IS IX JX PX SX UX VX WX
2	-	Market	E (EU [CE] Pounds G (GOS) N (US ETL/ETL[C]) R (US ETL/ETL[C]) U (EU [CE]) W (EU [CE] WRAS) Z (No Agency Int.)
3	-	Capacity	30 35 135 165
4	-	Control	B (B-Series) C (Cygnus Standard or STANDARD) P (WE-8) R (Cygnus Ultra Pro) U (Cygnus Ultra) V (Cygnus Vended) X (Cygnus Commercial) Y (Cygnus Premium) Z (Cygnus Professional or PRO)
5	-	Actuation	C (Single Coin Drop) D (Dual Coin Drop) E (Electronic Coin Drop) L (Central Pay Pulses) N (OPL) S (Central Pay Serial Comm)
6	-	Speed	H (High Speed)
7	-	Voltage	C (380-415V/50/60 Hertz/3Ph-4W [L1, L2, L3, N]) N (440-480V/50/60 Hertz/3Ph-3W [L1, L2, L3]) P (380-415V/50/60 Hertz/3Ph-3W[L1, L2, L3]) Q (200-208/220-240V/50/60 Hertz/3Ph-3W [L1, L2, L3]) X (200-208/220-240V/50/60 Hertz/1Ph-2W [L1, N] or 2W [L1, L2])
8	-	Cabinet	1 (Stainless Steel Side Panels) U (Standard)
9	-	Design	1

# Frame



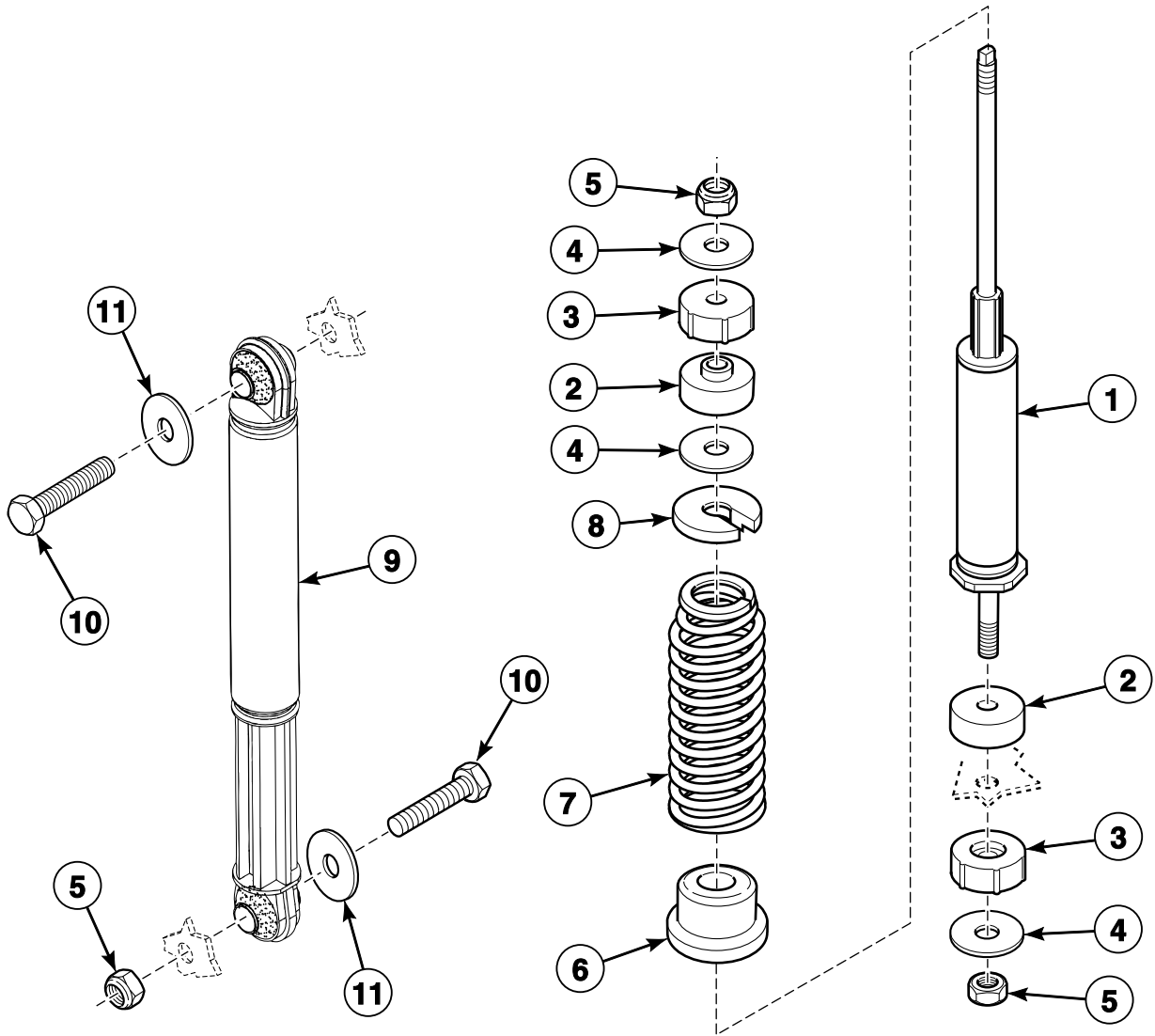
CFD552P\_D1359



# Frame

REF	PART NO.	DESCRIPTION	COMMENTS
1	204/00111/00	Nut	
2	201/00005/00	Washer	
3	206/00053/00	Screw	
4	B12508701	Tub Support	*30 and *135 models
	B12508601	Tub Support	*35 and *165 models
5	185/00009/12	Shipping Brace	
6	B12316201	Frame	*30 and *135 models
	B12316301	Frame	*35 and *165 models
7	252/00006/00	Leveling Leg	
8	206/00106/00	Nut	

# Shock Absorber

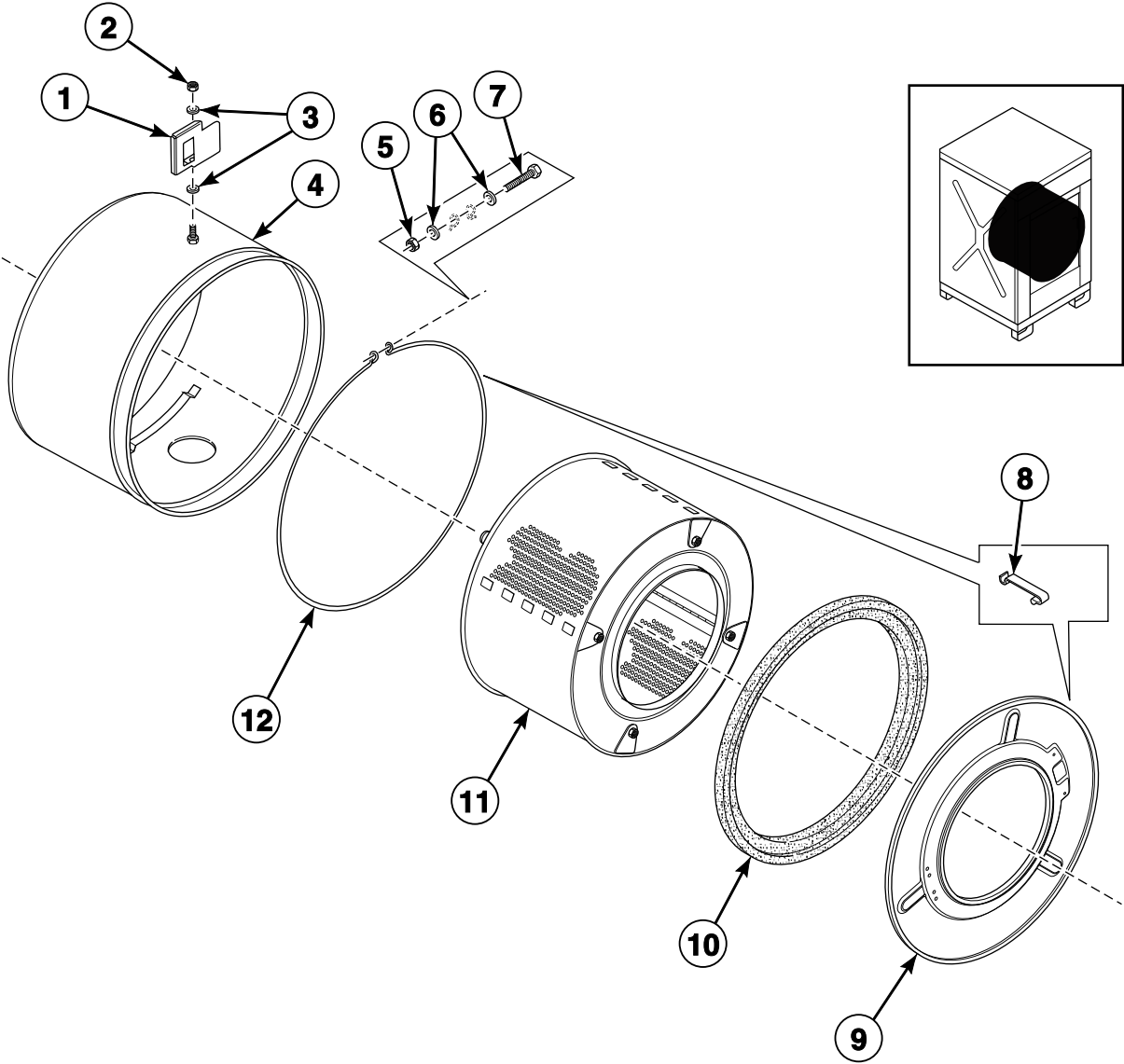


CFD618P\_D1359

# Shock Absorber

REF	PART NO.	DESCRIPTION	COMMENTS
1	247/00002/02	Shock Absorber	
	247/00003/00	Shock Absorber	Includes items 1, 2, 4, 6, 8 and 247/00002/01 Suspension Spring
2	247/00006/00	Fastening Rubber	
3	247/00007/00	Fastening Rubber	
4	201/00015/00	Washer	
5	204/00110/00	Nut	
6	247/00001/03	Spring Seat Bottom	
7	247/00002/01	Suspension Spring	Blue; 5.5 mm diameter
	247/00001/01	Suspension Spring	Black; 4.8 mm diameter
	247/00002/00	Shock Absorber	Includes items 2, 4 and 247/00001/01 Suspension Spring
8	247/00001/04	Spring Holder Top	
9	247/00004/00	Shock Absorber	
10	206/00037/00	Bolt	
11	201/00010/00	Washer	

# Shell and Basket

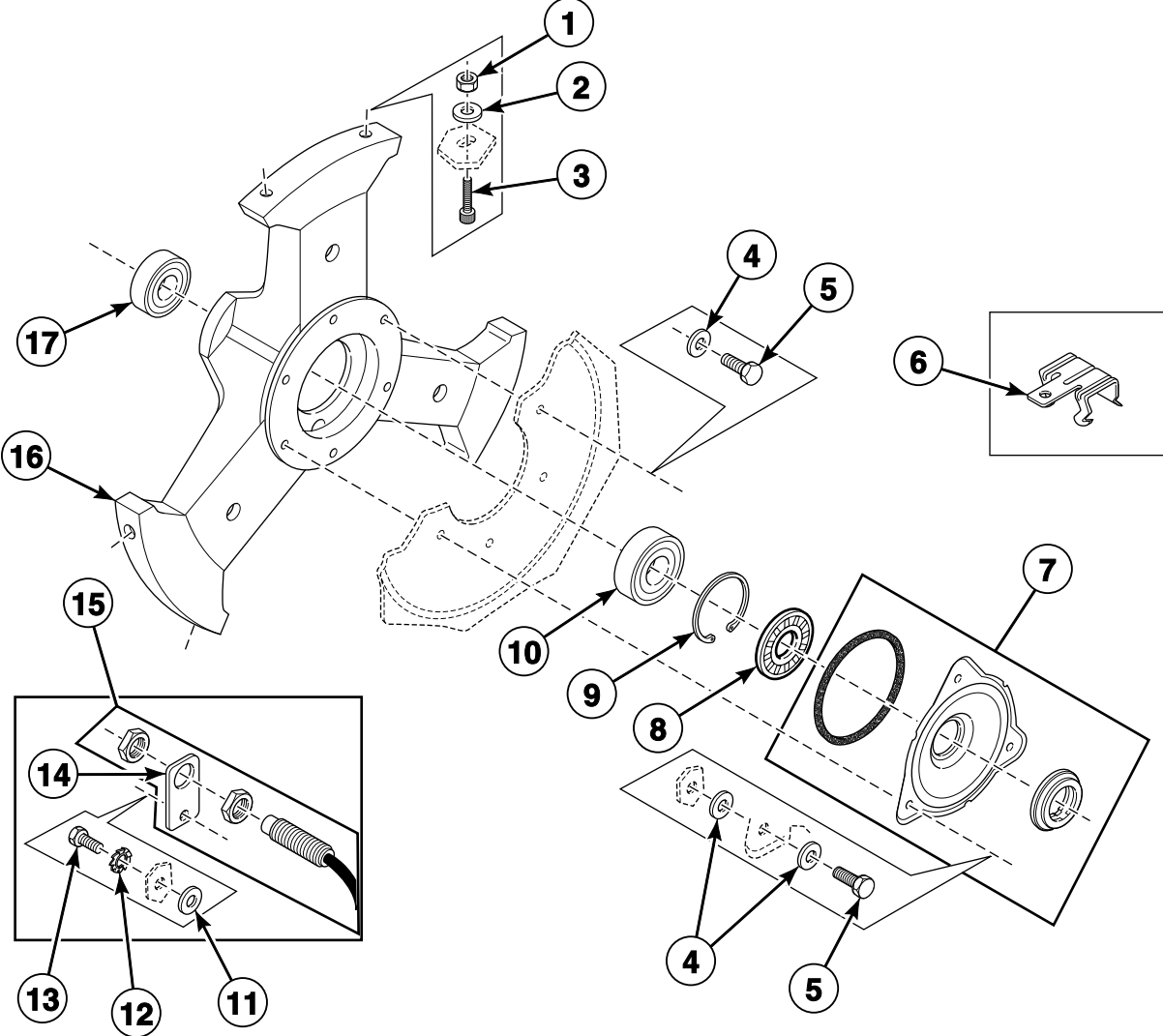


CFD553P\_D1359

## Shell and Basket

REF	PART NO.	DESCRIPTION	COMMENTS
	B12456002	Wiring Earth for Tub	
1	B12529401	Tilt Detector Plate	
2	204/00110/00	Nut	
3	201/00010/00	Washer	
4	B12328901	Tub	*30 and *135 models; Electric heat
	B12329001	Tub	*30 and *135 models; Boiler fed
	B12329201	Tub	*35 and *165 models; Electric heat
	B12329301	Tub	*35 and *165 models; Electric heat and boiler fed
5	204/00009/00	Nut	
6	201/00007/00	Washer	
7	206/00032/00	Bolt	
8	217/00008/00	Tub Front Panel Clip	
9	B12533201	Tub Front Panel	
10	B12351601	Tub Front Gasket	
11	B12539501	Basket and Shaft Assembly	*30 and *135 models; 3 mm
	B12539701	Basket and Shaft Assembly	*35 and *165 models; 3 mm
12	219/00007/00	Tub Front Ring Clamp	

# Bearing Housing

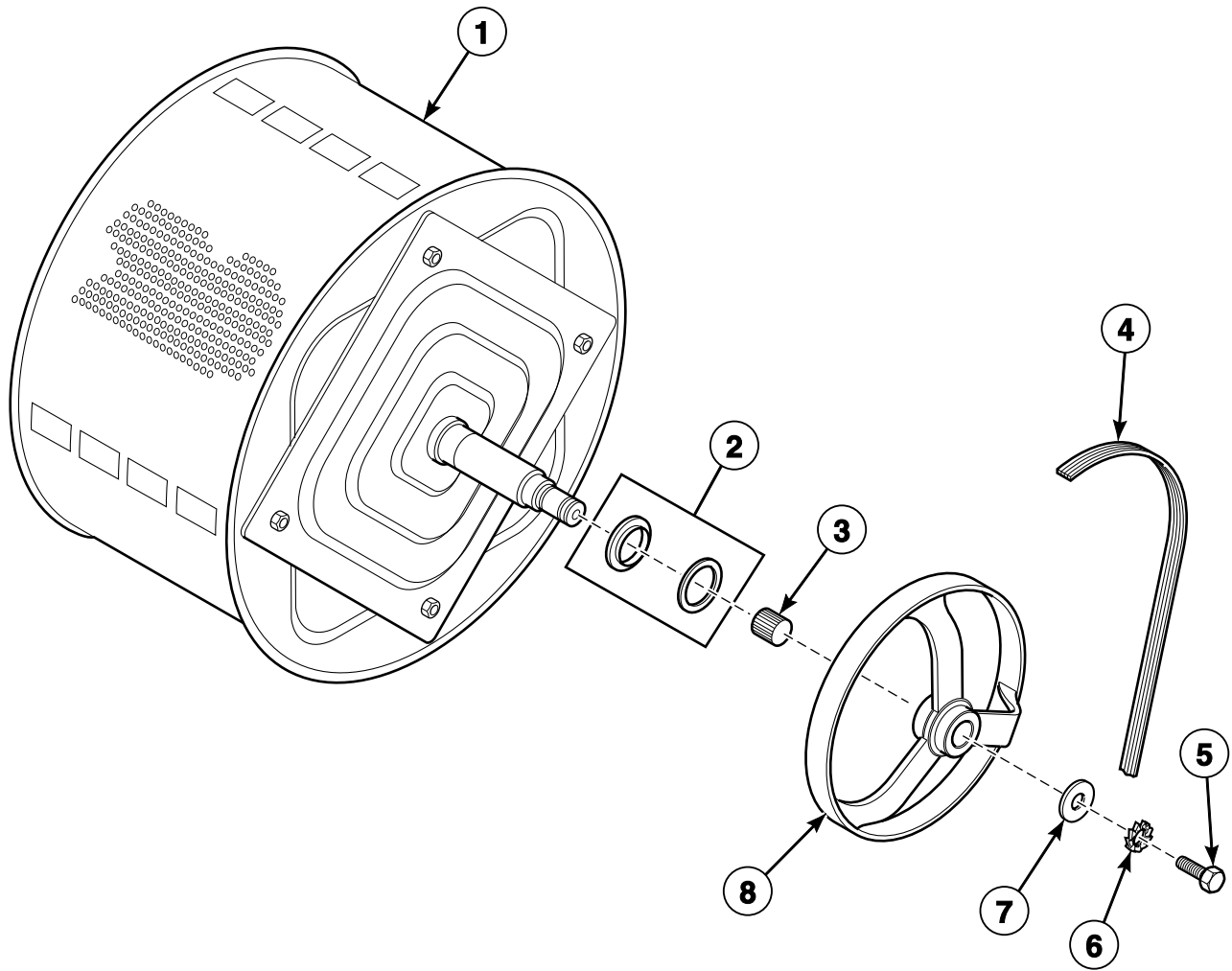


CFD583P\_D1359

## Bearing Housing

REF	PART NO.	DESCRIPTION	COMMENTS
	3882P	Bearing Kit	Includes items 4, 5, 7, 8, 10, 17, 219/00004/00 Counter Ring and 223/00242/20 Tub Gasket
	381P3P	Bearing Replacement Tool Kit	Purchase
	381P3-1	Bearing Replacement Tool Kit	Rental; Requires F407P4 Hardware Kit
	F407P4	Hardware Kit	Use with 381P3-1 Bearing Replacement Tool Kit
<b>1</b>	204/00111/00	Nut	
<b>2</b>	201/00012/00	Washer	
<b>3</b>	206/00057/00	Screw	
<b>4</b>	201/00201/00	Washer	
<b>5</b>	205/00102/00	Bolt	
<b>6</b>	224/00051/00	Caddy Bracket	4H58-4
	224/00052/00	Caddy Bracket	4H912
<b>7</b>	B12333701	Seal Plate Assembly	
<b>8</b>	B12332301	Lip Seal	
<b>9</b>	212/00006/00	Retainer Ring	
<b>10</b>	212/00004/00	Ball Bearing	
<b>11</b>	202/00003/00	Washer	
<b>12</b>	203/00004/00	Washer	
<b>13</b>	205/00104/00	Bolt	
<b>14</b>	152/00055/00	Speed Detector Bracket	
<b>15</b>	210/00074/00	Speed Detector	Includes item 14
<b>16</b>	152/10118/01	Bearing Housing Assembly	Includes items 8-10 and 17
	152/10118/00	Bearing Housing Assembly	
<b>17</b>	F100134	Bearing	

# Basket, Pulley and Belt



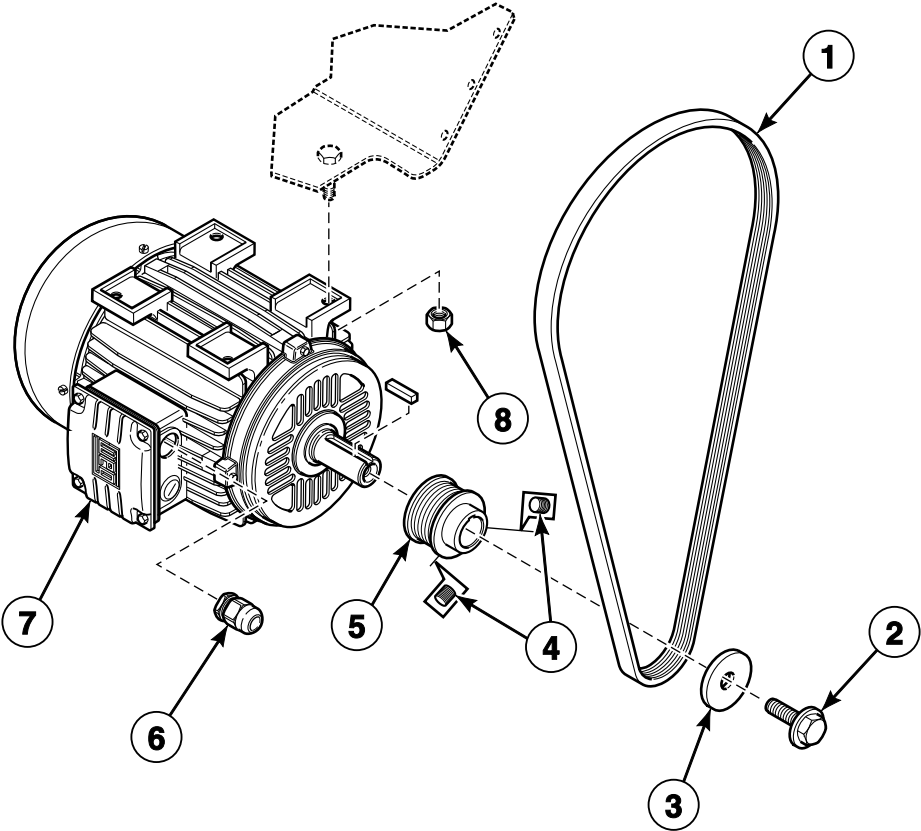
BE000839P\_D1359



## Basket, Pulley and Belt

REF	PART NO.	DESCRIPTION	COMMENTS
1	B12539501	Basket and Shaft Assembly	*30 and *135 models; 3 mm
	B12539701	Basket and Shaft Assembly	*35 and *165 models; 3 mm
2	219/00004/00	Counter Ring	
3	215/00004/00	Tolerance Ring	
4	226/00121/00	Belt	
5	206/00004/00	Bolt	
6	203/00001/00	Washer	
7	201/00003/00	Washer	
8	255/00117/00	Pulley	

# Motor and Belt

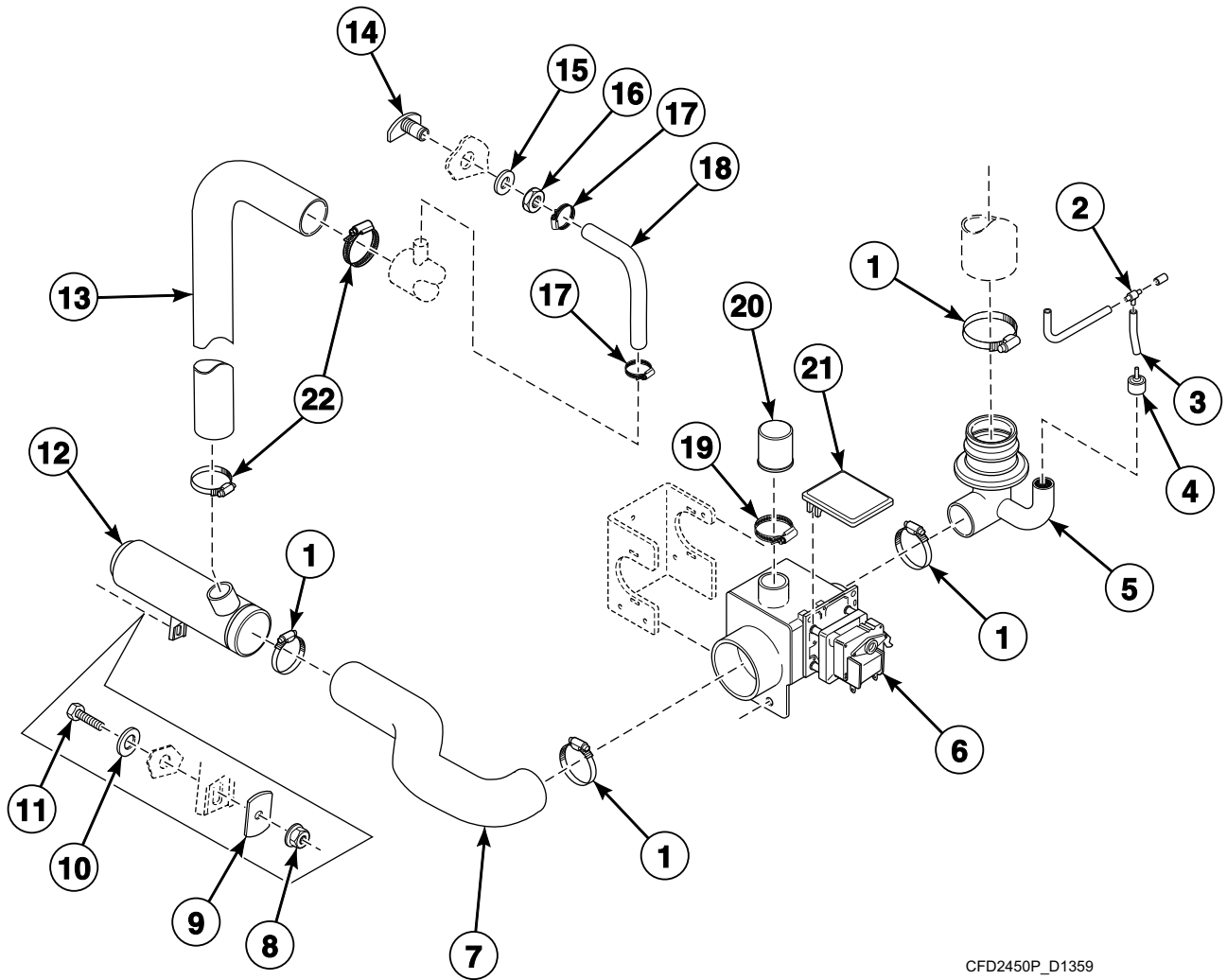


CFD574P\_D1359

# Motor and Belt

REF	PART NO.	DESCRIPTION	COMMENTS
	B12382102	Motor Harness	
1	226/00121/00	Belt	
2	206/00006/00	Bolt	
3	201/00015/00	Washer	
4	206/00058/00	Screw	
5	226/00123/00	Motor Pulley	
6	211/00181/00	Strain Relief Connector	
7	B12527601	Motor	
8	204/00109/00	Nut	

# Drain Plumbing

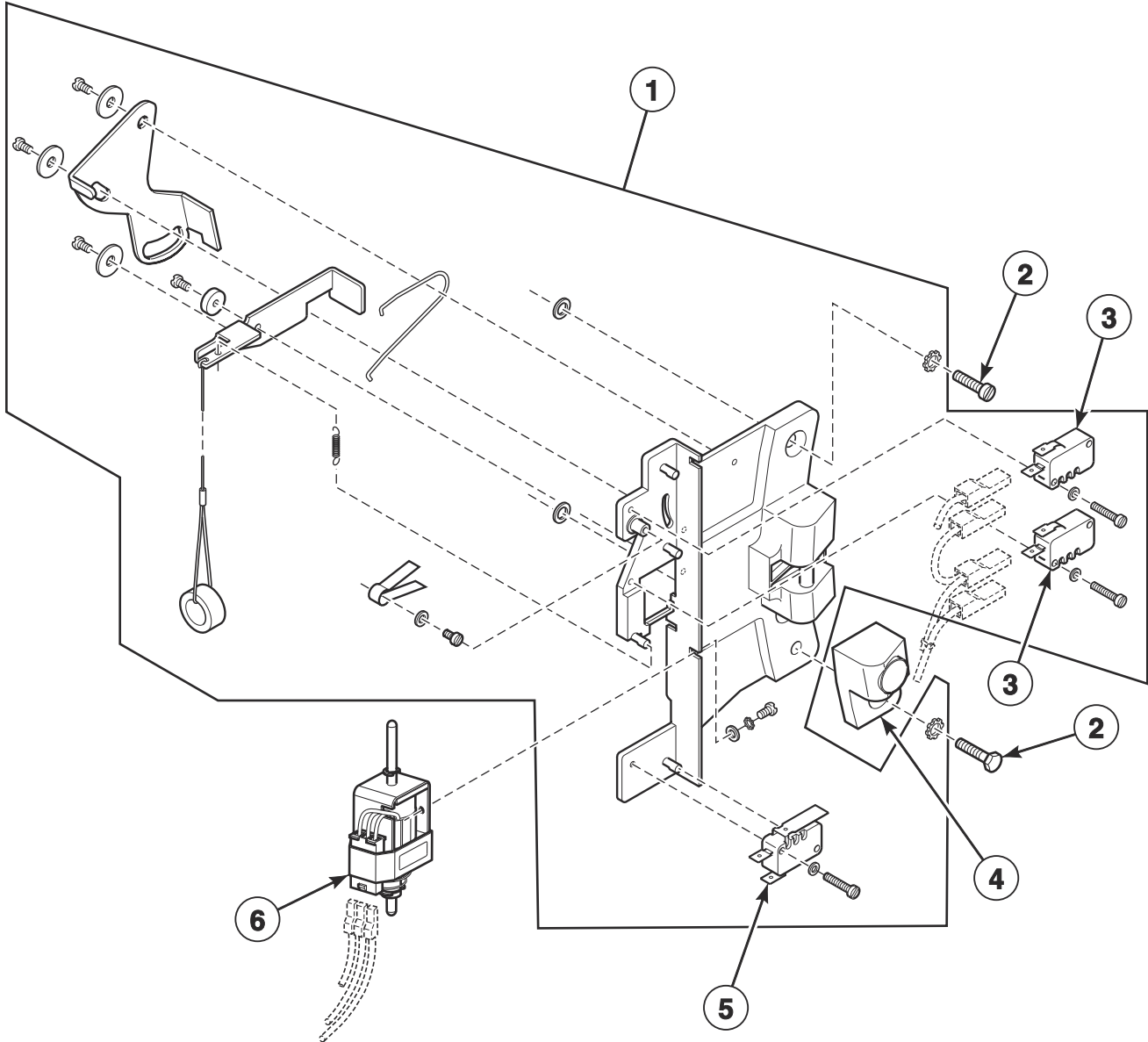


CFD2450P\_D1359

## Drain Plumbing

REF	PART NO.	DESCRIPTION	COMMENTS
	B12495801	Drain Valve Fuse Harness	WE-8 and B-Series models
	B12349401	Drain Valve Harness	Cygnus, STANDARD and PRO models
	B12428201	Dual Drain Kit	Cygnus, STANDARD and PRO models
<b>1</b>	223/00014/00	Hose Clamp	
<b>2</b>	223/00173/10	Pressure Switch Hose Tee	
<b>3</b>	223/00333/00	Pressure Hose	
<b>4</b>	223/00035/02	Pressure Switch Cap	
<b>5</b>	B12403101	Drain Tub to Drain Valve Hose	
<b>6</b>	B12630701	Drain Valve Kit	
<b>7</b>	223/00328/00	Drain Valve to Drain Tube Hose	
<b>8</b>	206/00101/00	Nut	
<b>9</b>	101/00007/00	Outlet Pipe Plate Assembly	
<b>10</b>	201/00007/00	Washer	
<b>11</b>	206/00033/00	Bolt	
<b>12</b>	223/00106/00	Drain Pipe	
<b>13</b>	223/00100/00	Overflow Hose	
<b>14</b>	223/00001/04	Prewash and Mainwash Nozzle	
<b>15</b>	201/00002/00	Washer	
<b>16</b>	204/00201/00	Nut	
<b>17</b>	223/00010/00	Hose Clamp	
<b>18</b>	223/00044/00	Water Hose	
<b>19</b>	223/00223/00	Hose Clamp	
<b>20</b>	223/00086/00	Drain Valve Overflow Plug	
<b>21</b>	223/00225/00	Drain Valve Cover	
<b>22</b>	223/00013/00	Hose Clamp	

# Door Lock

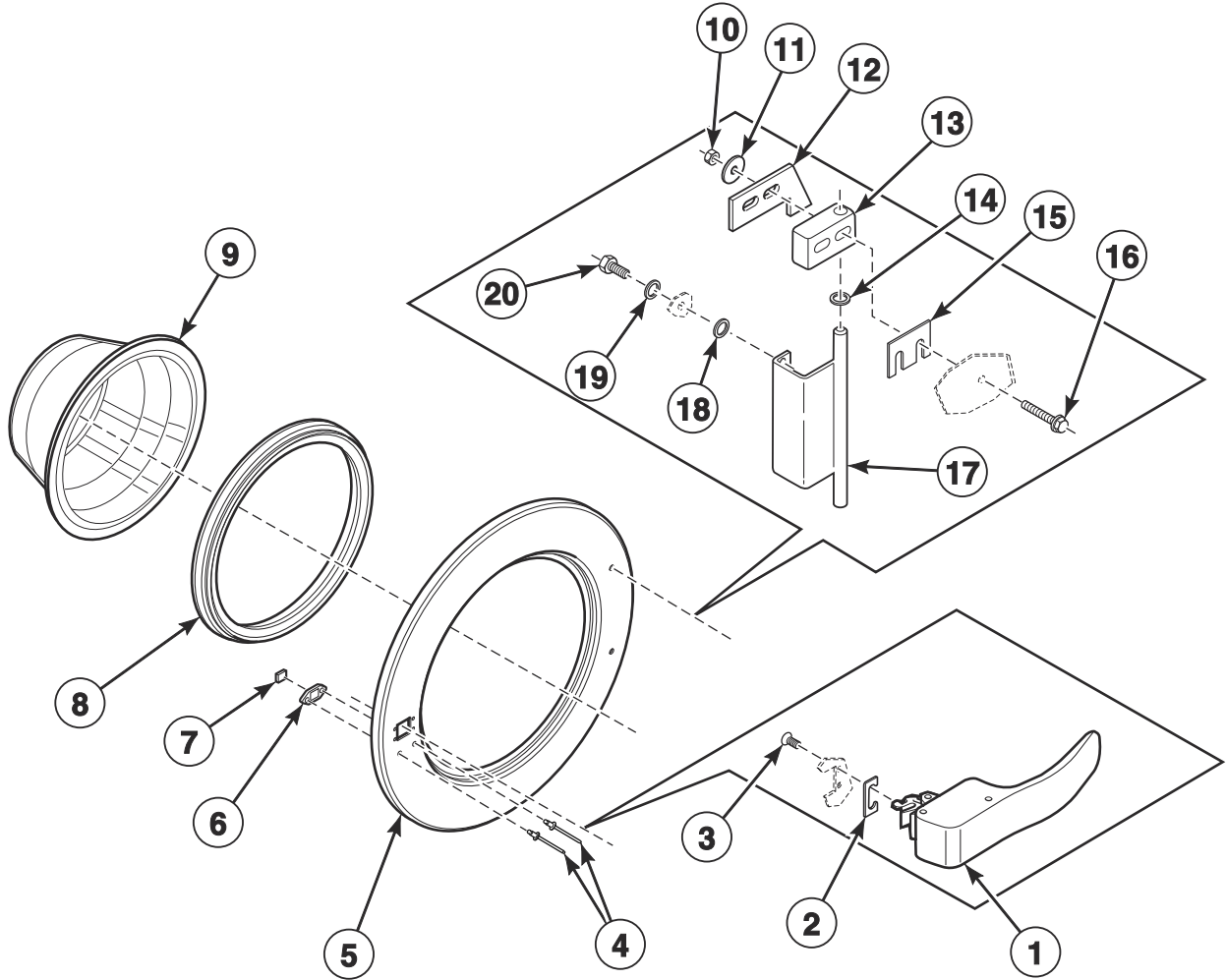


CHM3240P\_D1359

# Door Lock

REF	PART NO.	DESCRIPTION	COMMENTS
	B12495002	Door Lock Harness	WE-8 and B-Series models
	B12495001	Door Lock Harness	Cygnus, STANDARD and PRO models
1	B12517701	Door Lock Assembly	Includes item 4
2	207/00102/00	Screw	
3	209/00272/00	Door Lock Microswitch	
4	B12517601	Reed Switch Holder	Includes F8080405 Reed Switch Harness and B12502001 Reed Switch Holder
5	B12625101	Microswitch	
6	B12518101	Door Solenoid Assembly	

# Door



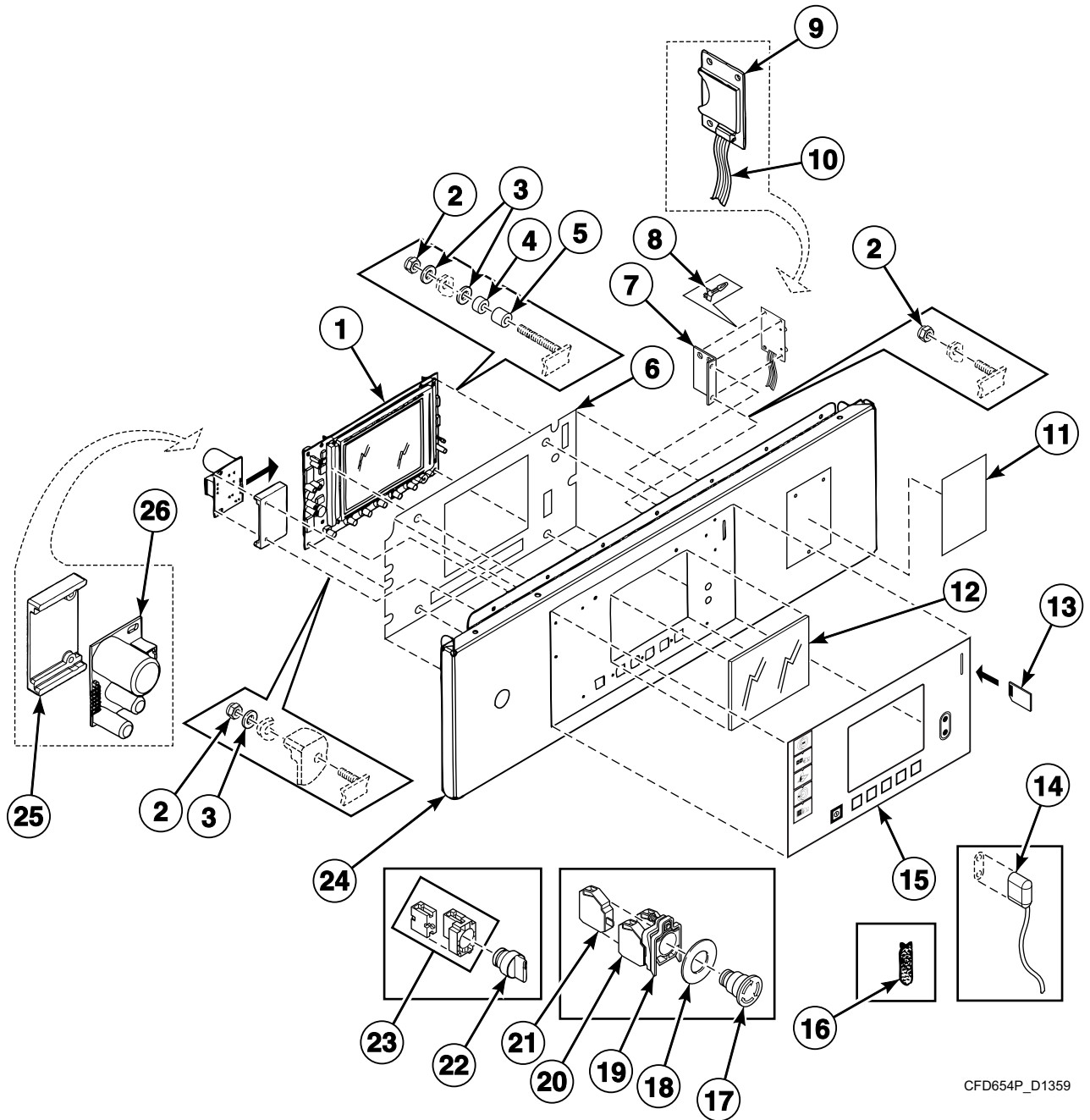
CFD3212P\_D1359



# Door

REF	PART NO.	DESCRIPTION	COMMENTS
1	B12336302	Door Handle	WE-8 and B-Series models; Gray
	B12336301	Door Handle	Cygnus, STANDARD and PRO models; Black
2	217/00016/00	Door Handle Stop	
3	B12500801	Screw	
4	B12500301	Rivet	
5	B12337201	Door Frame	
6	B12389701	Magnet Holder	
7	B12363301	Magnet	
8	223/00068/00	Door Glass Seal	
9	B12449801	Door Glass	
10	204/00106/00	Nut	
11	202/00110/00	Washer	
12	B12565001	Door Hinge Blocking Plate	
13	253/00022/00	Door Hinge Block	
14	202/00104/00	Washer	
15	118/00124/00	Door Hinge Spacer	
16	207/00126/00	Screw	
17	221/00004/00	Hinge	
18	217/00021/00	O-Ring	
19	202/00101/00	Washer	
20	205/00106/00	Bolt	

# Control Panel - Cygnus Professional

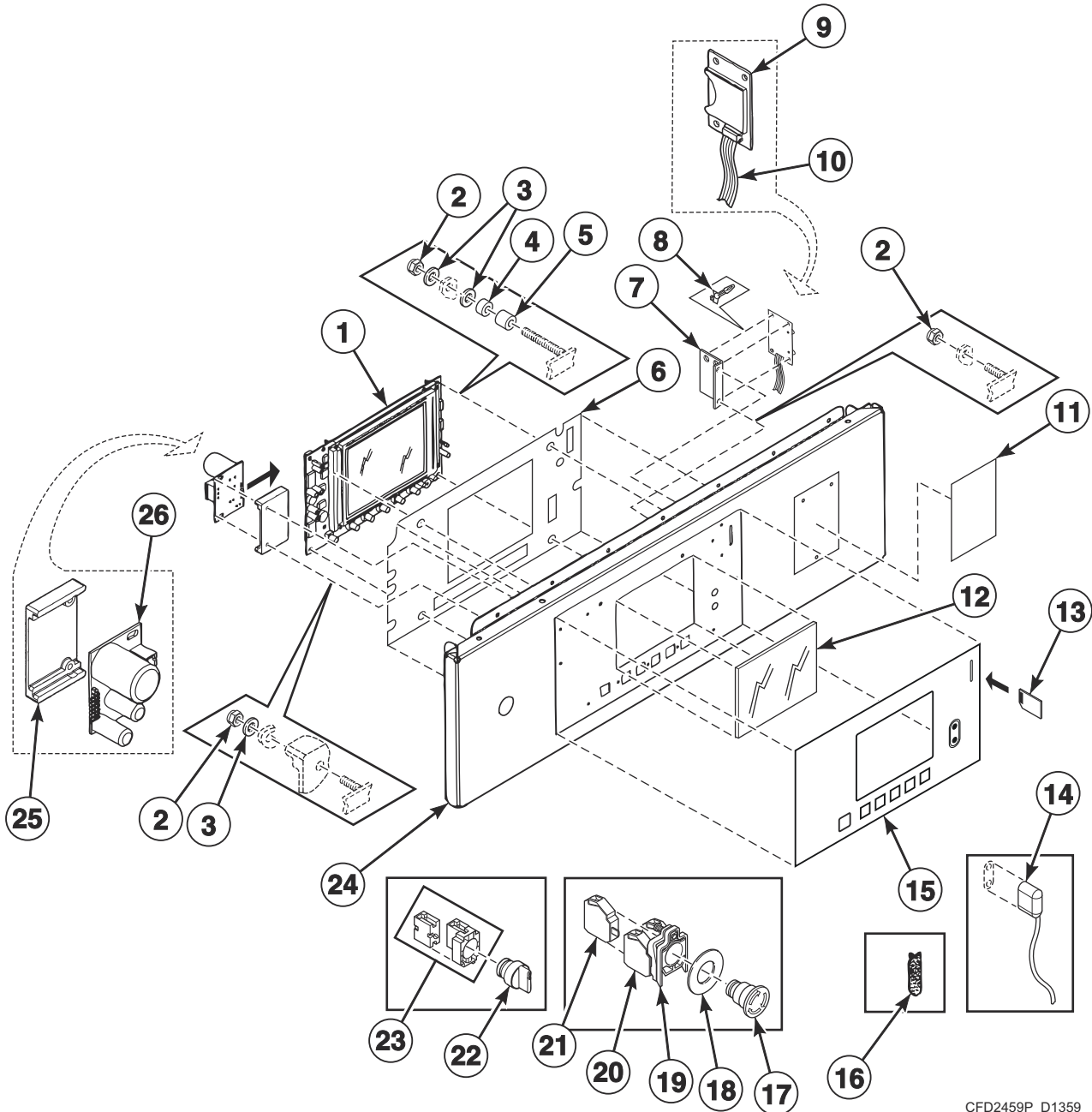


CFD654P\_D1359

## Control Panel - Cygnus Professional

REF	PART NO.	DESCRIPTION	COMMENTS
	B12348901	E-Stop Harness	
1	209/02002/ZB2	Display PC-Board	
2	204/00116/00	Nut	
3	223/00123/00	Washer	
4	211/00128/00	Printboard Separator	
5	211/00122/00	Standoff	
6	229/00268/00	Insulating Sticker	
7	111/01893/00	Printboard Support Card	Optional
8	211/00145/00	Standoff	
9	B12305201	Memory Card PC-Board	Optional
10	B12538301	Data Card Ribbon Assembly	Optional
11	B12389801	Nameplate	HD and IX models
	B12389802	Nameplate	CX models
	B12389804	Overlay	JX models
12	225/00321/00	Plexi Frame	
13	209/02024/00	Datacard	
14	210/00902/00	Infrared Cable	
15	B12383601	Operating Sticker	Without datacard opening; All models except JXW135Z and JXW165Z
	B12383701	Operating Sticker	With datacard opening; All models except JXW135Z and JXW165Z
	B12532001	Operating Sticker	Models JXW135Z and JXW165Z
16	223/00348/00	Datacard Cover	
17	209/00248/20	Mushroom Pushbutton	
18	209/00520/00	Telem Sticker	
19	B12491801	Contact Harness	
20	209/00029/26	Contact Switch	NC
21	209/00099/26	Contact Switch	NO
22	209/00099/29	Switch Knob	Dual heat
	B12523901	Dual Heat Sticker	Dual heat
23	B12491701	Contact Harness	Dual heat
24	B12356401	Operating Panel	
25	223/00374/00	Mounting Plate	
26	B12388201	Door Lock PC-Board	

# Control Panel - PRO

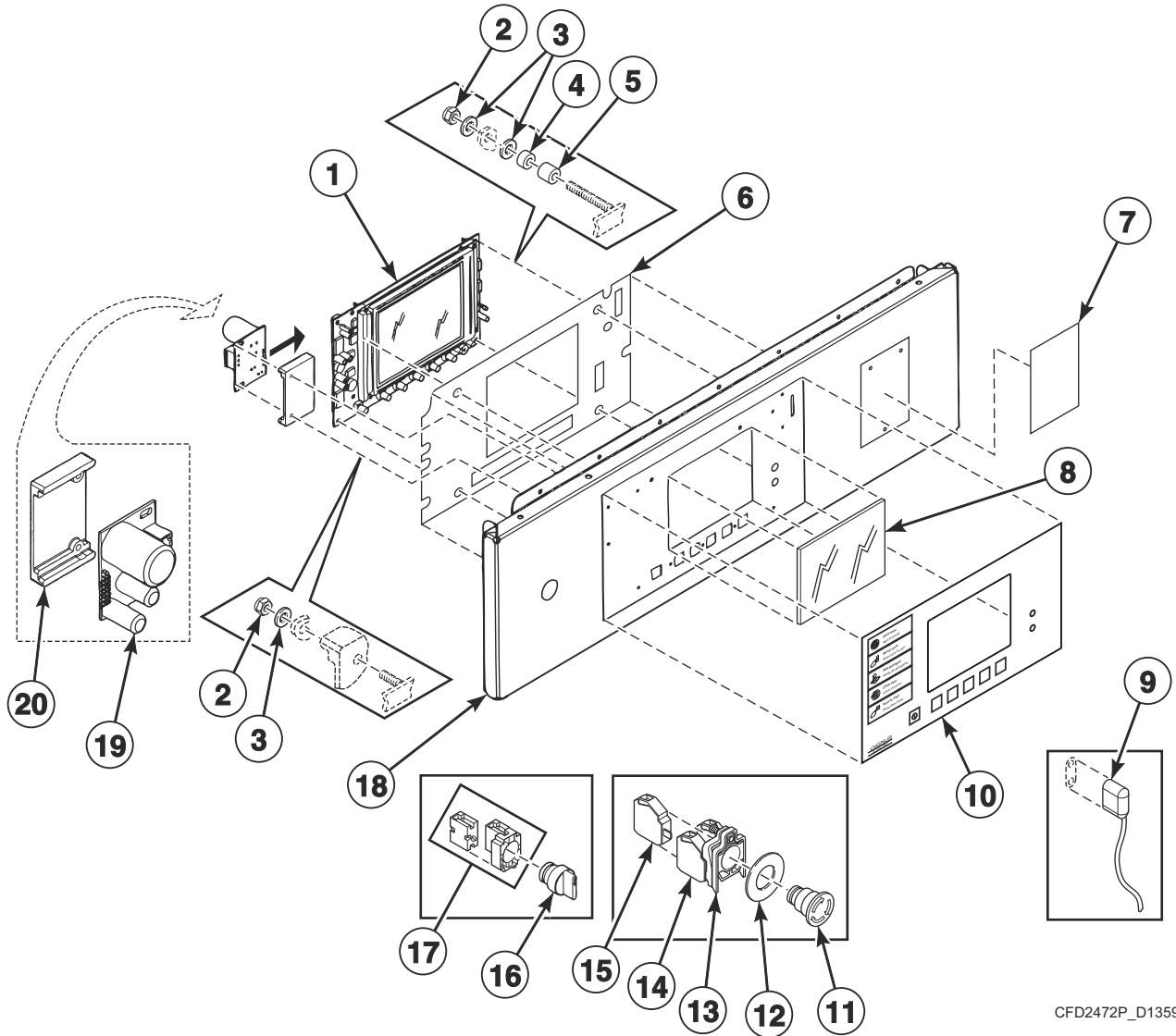


CFD2459P\_D1359

## Control Panel - PRO

REF	PART NO.	DESCRIPTION	COMMENTS
	B12348901	E-Stop Harness	
1	209/02002/ZB2	Display PC-Board	
2	204/00116/00	Nut	
3	223/00123/00	Washer	
4	211/00128/00	Printboard Separator	
5	211/00122/00	Standoff	
6	229/00268/00	Insulating Sticker	
7	111/01893/00	Printboard Support Card	Optional
8	211/00145/00	Standoff	
9	B12305201	Memory Card PC-Board	Optional
10	B12538301	Data Card Ribbon Assembly	Optional
11	B8443101	Logo	UX models
12	225/00321/00	Plexi Frame	
13	209/02024/00	Datacard	
14	210/00902/00	Infrared Cable	
15	B12568801	Overlay	UX models
	B12568901	Overlay	SX models
16	223/00348/00	Datacard Cover	
17	209/00248/20	Mushroom Pushbutton	
18	209/00520/00	Telem Sticker	
19	B12491801	Contact Harness	
20	209/00029/26	Contact Switch	NC
21	209/00099/26	Contact Switch	NO
22	209/00099/29	Switch Knob	Dual heat
	B12523901	Dual Heat Sticker	Dual heat
23	B12491701	Contact Harness	Dual heat
24	B12570101	Control Panel	UX models
	B12570201	Control Panel	SX models
25	223/00374/00	Mounting Plate	
26	B12388201	Door Lock PC-Board	

# Control Panel - Cygnus Ultra Pro

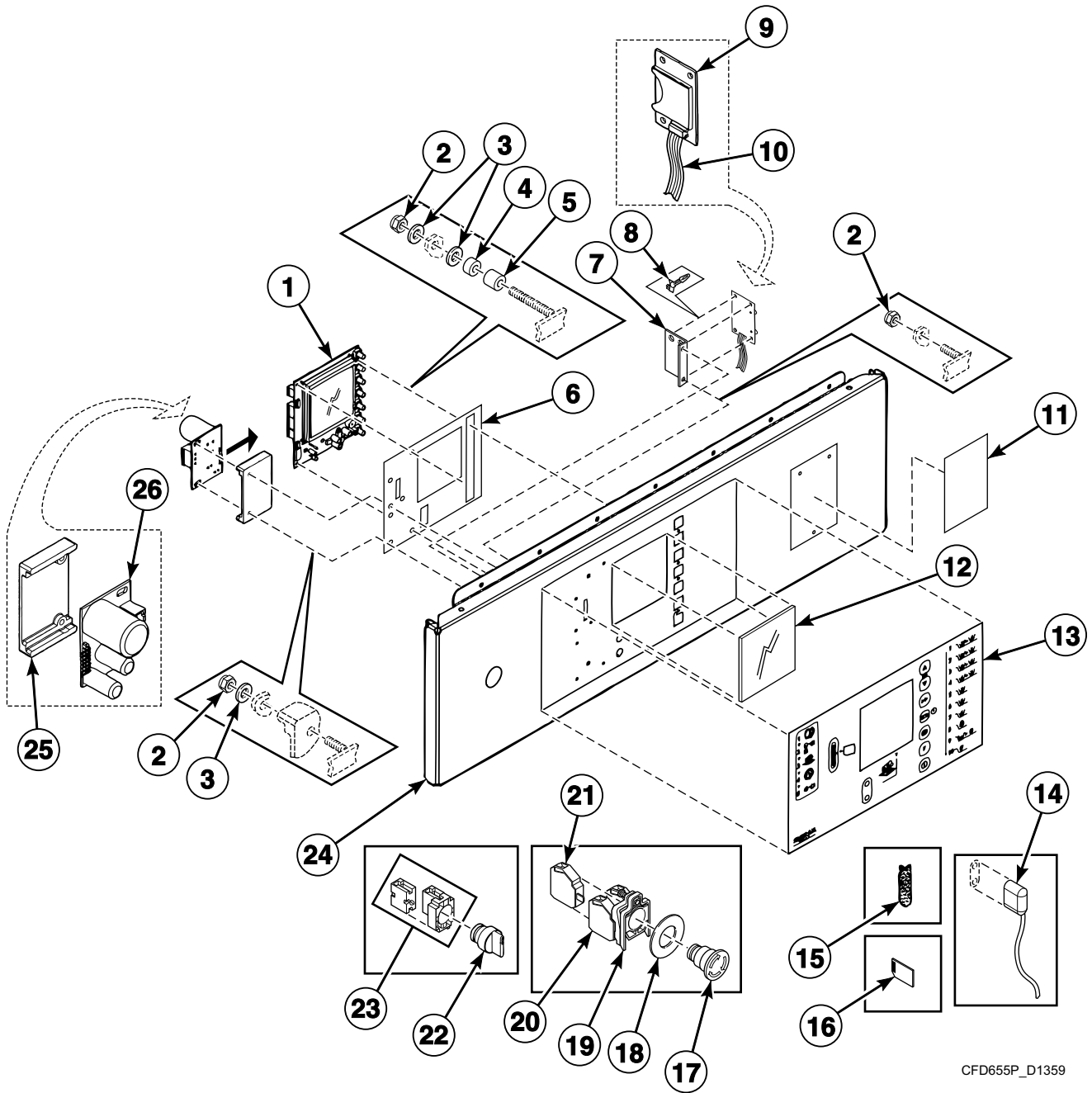


CFD2472P\_D1359

## Control Panel - Cygnus Ultra Pro

REF	PART NO.	DESCRIPTION	COMMENTS
	B12348901	E-Stop Harness	
1	209/02002/ZB2	Display PC-Board	
2	204/00116/00	Nut	
3	223/00123/00	Washer	
4	211/00128/00	Printboard Separator	
5	211/00122/00	Standoff	
6	229/00268/00	Insulating Sticker	
7	B12389801	Nameplate	Models IS035_ULTRA-PRO and IXR035R
	B12389802	Nameplate	Models CS035_ULTRA-PRO and CXR035R
8	225/00321/00	Plexi Frame	
9	210/00902/00	Infrared Cable	
10	B12389802	Nameplate	Models CS035_ULTRA-PRO and CXR035R
	B12583801	Overlay	Models IS035_ULTRA-PRO and IXR035R
11	209/00248/20	Mushroom Pushbutton	
12	209/00520/00	Telem Sticker	
13	B12491801	Contact Harness	
14	209/00029/26	Contact Switch	NC
15	209/00099/26	Contact Switch	NO
16	209/00099/29	Switch Knob	Dual heat
	B12523901	Dual Heat Sticker	Dual heat
17	B12491701	Contact Harness	Dual heat
18	B12356401	Operating Panel	
19	B12388201	Door Lock PC-Board	
20	223/00374/00	Mounting Plate	

# Control Panel - Cygnus Premium OPL and Ultra



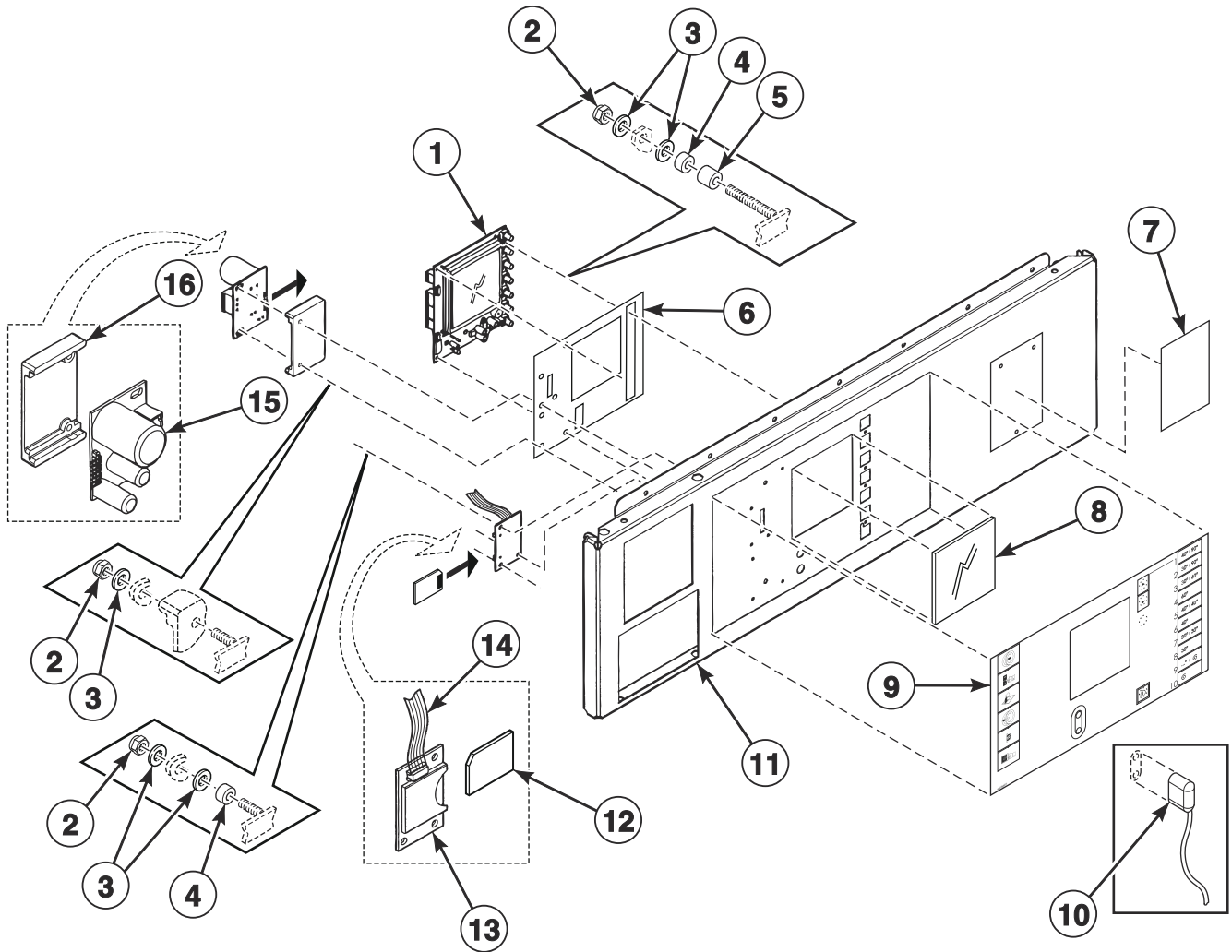
CFD655P\_D1359



## Control Panel - Cygnus Premium OPL and Ultra

REF	PART NO.	DESCRIPTION	COMMENTS
	B12348901	E-Stop Harness	
1	209/02015/02	Printboard	
2	204/00116/00	Nut	
3	223/00123/00	Washer	
4	211/00128/00	Printboard Separator	
5	211/00122/00	Standoff	
6	229/00291/00	Insulating Sticker	
7	111/01893/00	Printboard Support Card	Optional
8	211/00145/00	Standoff	
9	B12305201	Memory Card PC-Board	Optional
10	B12538301	Data Card Ribbon Assembly	Optional
11	B12389801	Nameplate	HD, IS and IX models
	B12389802	Nameplate	CS and CX models
	B12389804	Overlay	JX models
	B12389805	Nameplate	PX models
12	225/00323/00	Plexi Frame	
13	B12456701	Operating Sticker	Cygnus Ultra models
	B12383401	Operating Sticker	Cygnus Premium OPL models except JX models; With datacard opening
	B12383301	Operating Sticker	Cygnus Premium OPL models except JX models; Without datacard opening
	B12531901	Operating Sticker	JX models
	B12531801	Operating Sticker	JX models
14	210/00902/00	Infrared Cable	
15	223/00348/00	Datacard Cover	Cygnus Premium OPL models
16	209/02024/00	Datacard	Cygnus Premium OPL models
17	209/00248/20	Mushroom Pushbutton	
18	209/00520/00	Telem Sticker	
19	B12491801	Contact Harness	
20	209/00029/26	Contact Switch	NC
21	209/00099/26	Contact Switch	NO
22	209/00099/29	Switch Knob	Dual heat
	B12523901	Dual Heat Sticker	Dual heat
23	B12491701	Contact Harness	Dual heat
24	B12356501	Operating Panel	
25	223/00374/00	Mounting Plate	
26	B12388201	Door Lock PC-Board	

# Control Panel - Cygnus Premium Coin

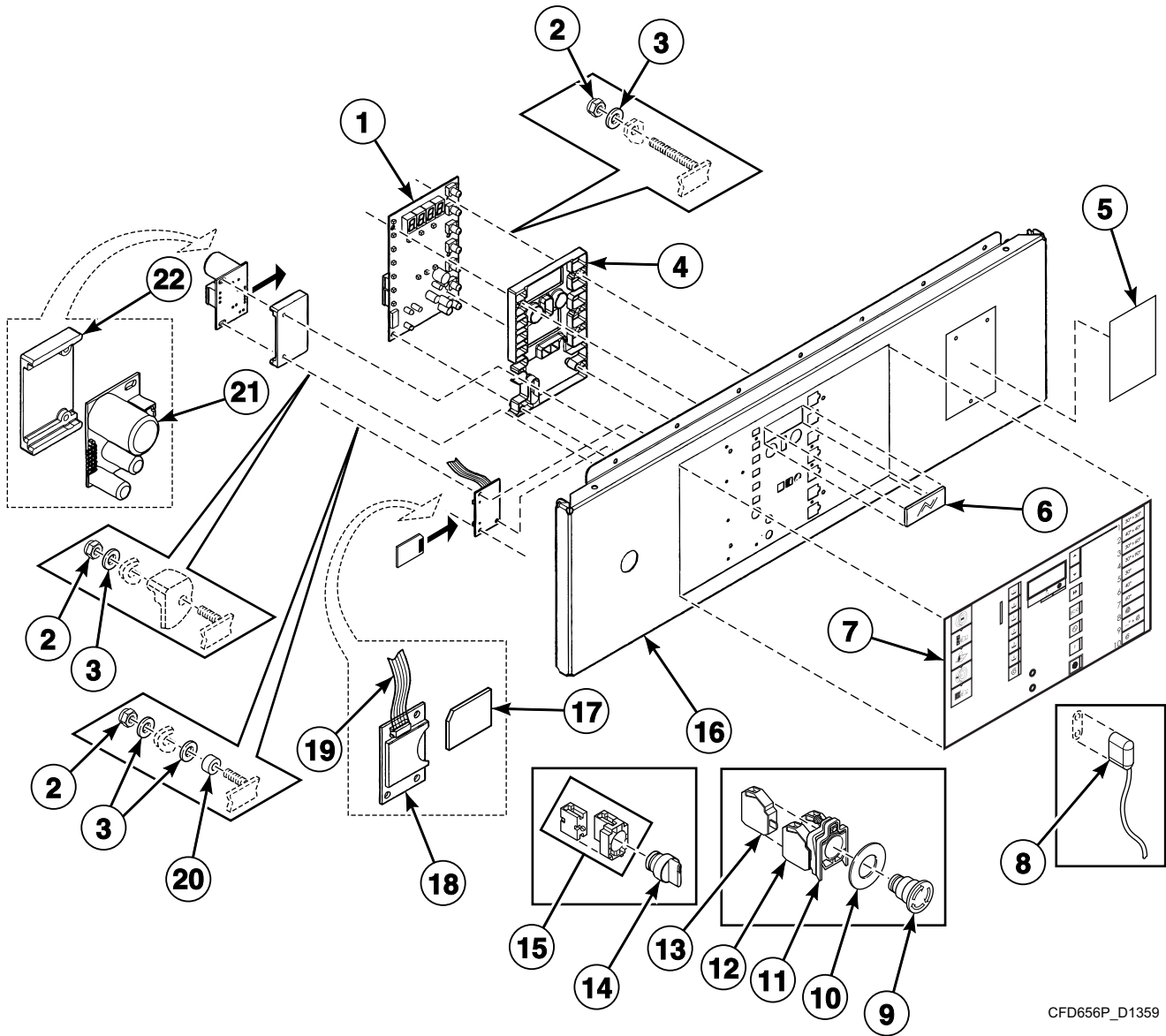


CFD621P\_D1359

## Control Panel - Cygnus Premium Coin

REF	PART NO.	DESCRIPTION	COMMENTS
	B12349001	E-Stop Bypass Harness	
1	209/02015/02	Printboard	
2	204/00116/00	Nut	
3	223/00123/00	Washer	
4	211/00128/00	Printboard Separator	
5	211/00122/00	Standoff	
6	229/00291/00	Insulating Sticker	
7	B12389801	Nameplate	HD and IX models
	B12389804	Overlay	JX models
	B12389805	Nameplate	PX models
8	225/00323/00	Plexi Frame	
9	B12383501	Operating Sticker	
10	210/00902/00	Infrared Cable	
11	B12354101	Operating Panel	
12	209/02024/00	Datacard	
13	B12305201	Memory Card PC-Board	
14	B12538301	Data Card Ribbon Assembly	
15	B12388201	Door Lock PC-Board	
16	223/00374/00	Mounting Plate	

# Control Panel - Cygnus Standard/Commercial OPL

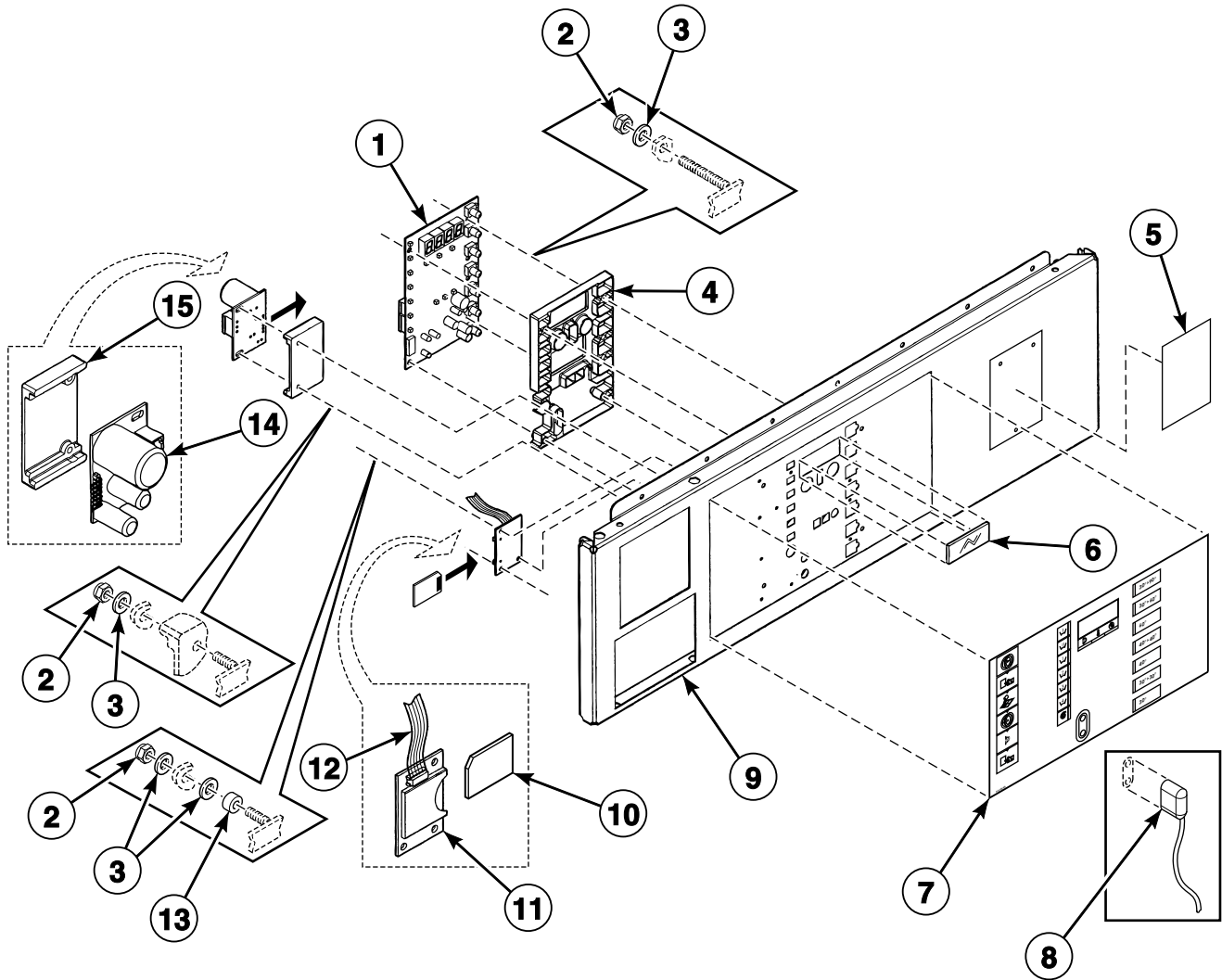


CFD656P\_D1359

## Control Panel - Cygnus Standard/Commercial OPL

REF	PART NO.	DESCRIPTION	COMMENTS
	B12348901	E-Stop Harness	
1	209/02001/02	Printboard	
2	204/00116/00	Nut	
3	223/00123/00	Washer	
4	223/00330/00	Protection LED	
5	B12389801	Nameplate	HD and IX models
	B12389802	Nameplate	CX models
	B12389803	Nameplate	DX models
	B12389804	Overlay	JX models
	B12389809	Nameplate	EX models
	B12389810	Nameplate	WX models
6	225/00322/00	Plexi Frame	
7	B12382701	Operating Sticker	Cygnus Standard OPL models except JX models; Without datacard opening
	B12382801	Operating Sticker	Cygnus Standard OPL models except JX models; With datacard opening
	B12383001	Operating Sticker	Cygnus Commercial OPL models except JX models; Without datacard opening
	B12383101	Operating Sticker	Cygnus Commercial OPL models except JX models; With datacard opening
	B12531801	Operating Sticker	JX models
8	210/00902/00	Infrared Cable	
9	209/00248/20	Mushroom Pushbutton	
10	209/00520/00	Telem Sticker	
11	B12491801	Contact Harness	
12	209/00029/26	Contact Switch	NC
13	209/00099/26	Contact Switch	NO
14	209/00099/29	Switch Knob	Dual heat
	B12523901	Dual Heat Sticker	Dual heat
15	B12491701	Contact Harness	Dual heat
16	B12356201	Operating Panel	
17	209/02024/00	Datacard	Optional
18	B12305201	Memory Card PC-Board	Optional
19	B12538301	Data Card Ribbon Assembly	Optional
20	211/00128/00	Printboard Separator	
21	B12388201	Door Lock PC-Board	
22	223/00374/00	Mounting Plate	

# Control Panel - Cygnus Vended and Cygnus Standard/Commercial Vended

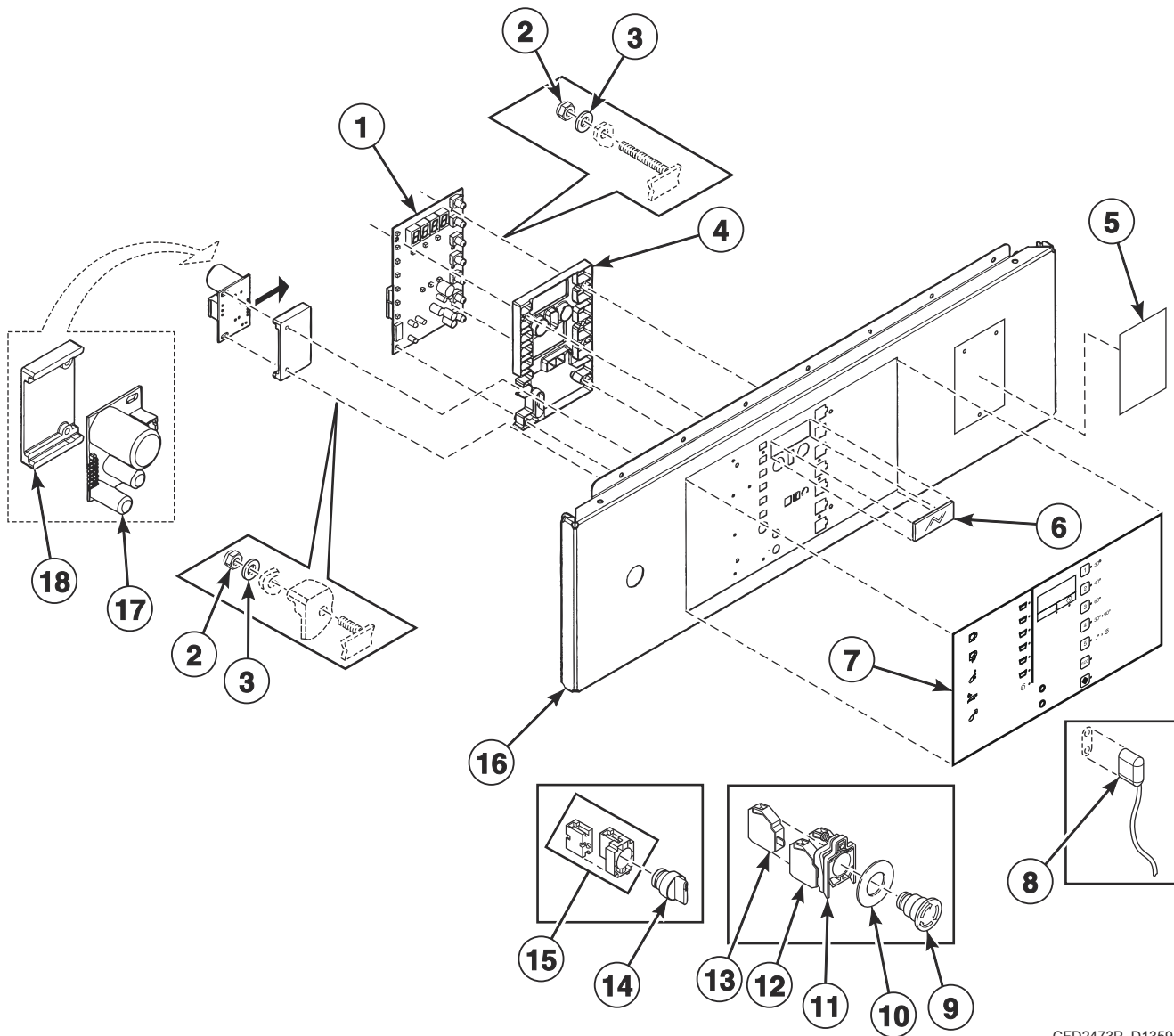


CFD611P\_D1359

## Control Panel - Cygnus Vended and Cygnus Standard/Commercial Vended

REF	PART NO.	DESCRIPTION	COMMENTS
	B12349001	E-Stop Bypass Harness	
1	209/02001/02	Printboard	
2	204/00116/00	Nut	
3	223/00123/00	Washer	
4	223/00330/00	Protection LED	
5	B12389801	Nameplate	HD and IX models
	B12389802	Nameplate	CX models
	B12389803	Nameplate	DX models
	B12389804	Overlay	JX models
	B12389809	Nameplate	EX models
	B12389810	Nameplate	WX models
6	225/00322/00	Plexi Frame	
7	B12382901	Operating Sticker	Cygnus Standard vended models
	B12383201	Operating Sticker	Cygnus Commercial vended models
	B12456501	Operating Sticker	Cygnus Vended models
8	210/00902/00	Infrared Cable	
9	B12356301	Operating Panel	
10	209/02024/00	Datacard	Cygnus Standard/Commercial vended models
11	B12305201	Memory Card PC-Board	Cygnus Standard/Commercial vended models
12	B12538301	Data Card Ribbon Assembly	Cygnus Standard/Commercial vended models
13	211/00128/00	Printboard Separator	
14	B12388201	Door Lock PC-Board	
15	223/00374/00	Mounting Plate	

# Control Panel - STANDARD OPL



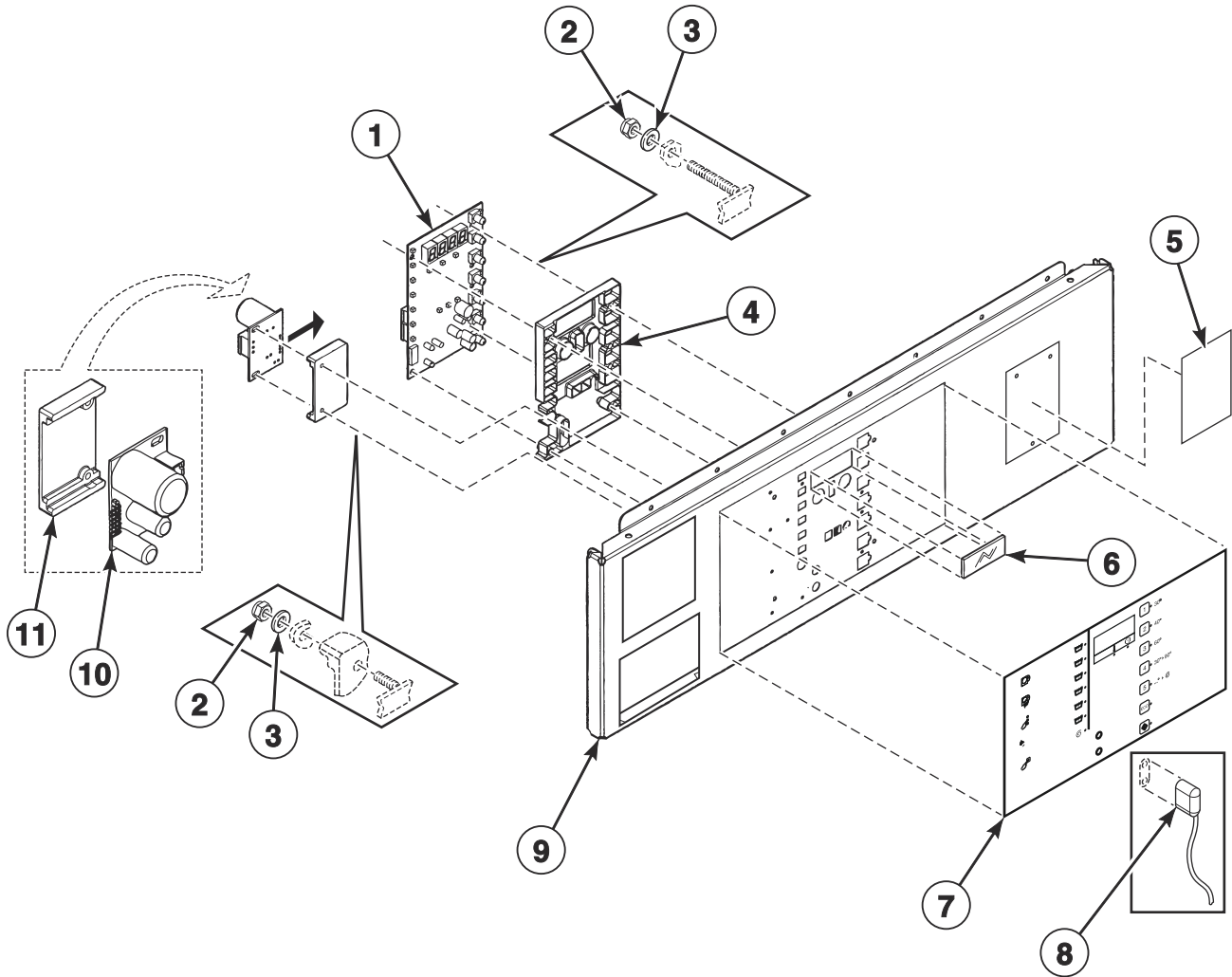
CFD2473P\_D1359



## Control Panel - STANDARD OPL

REF	PART NO.	DESCRIPTION	COMMENTS
	B12348901	E-Stop Harness	
1	209/02001/02	Printboard	
2	204/00116/00	Nut	
3	223/00123/00	Washer	
4	223/00330/00	Protection LED	
5	B12389801	Nameplate	
6	225/00322/00	Plexi Frame	
7	B12574901	Overlay	
8	210/00902/00	Infrared Cable	
9	209/00248/20	Mushroom Pushbutton	
10	209/00520/00	Telem Sticker	
11	B12491801	Contact Harness	
12	209/00029/26	Contact Switch	NC
13	209/00099/26	Contact Switch	NO
14	209/00099/29	Switch Knob	Dual heat
	B12523901	Dual Heat Sticker	Dual heat
15	B12491701	Contact Harness	Dual heat
16	B12572301	Control Panel	
17	B12388201	Door Lock PC-Board	
18	223/00374/00	Mounting Plate	

# Control Panel - STANDARD Vended

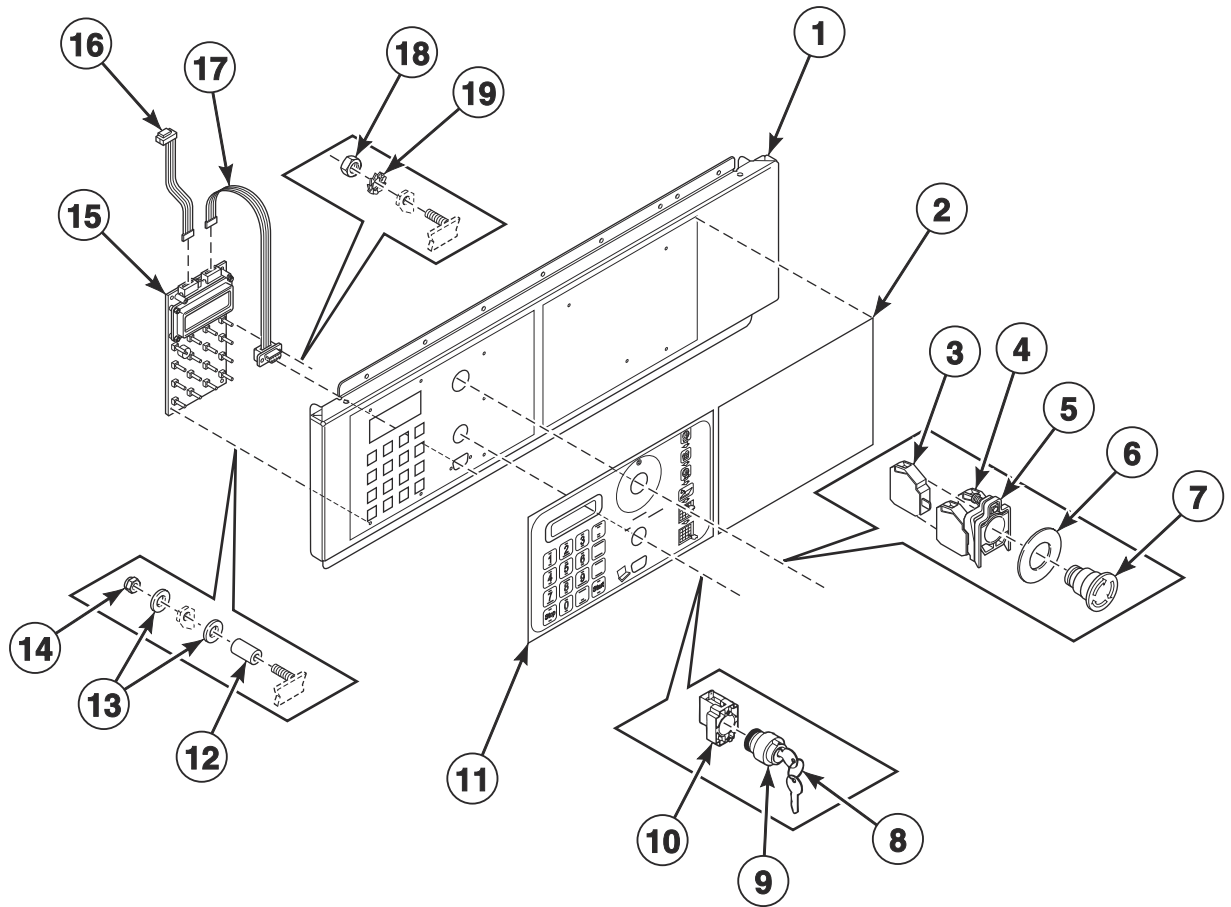


CFD2480P\_D1359

## Control Panel - STANDARD Vended

REF	PART NO.	DESCRIPTION	COMMENTS
	B12349001	E-Stop Bypass Harness	
1	209/02001/02	Printboard	
2	204/00116/00	Nut	
3	223/00123/00	Washer	
4	223/00330/00	Protection LED	
5	B12389801	Nameplate	
6	225/00322/00	Plexi Frame	
7	B12574901	Overlay	
8	210/00902/00	Infrared Cable	
9	B12572301	Control Panel	
10	B12388201	Door Lock PC-Board	
11	223/00374/00	Mounting Plate	

# Control Panel - WE-8

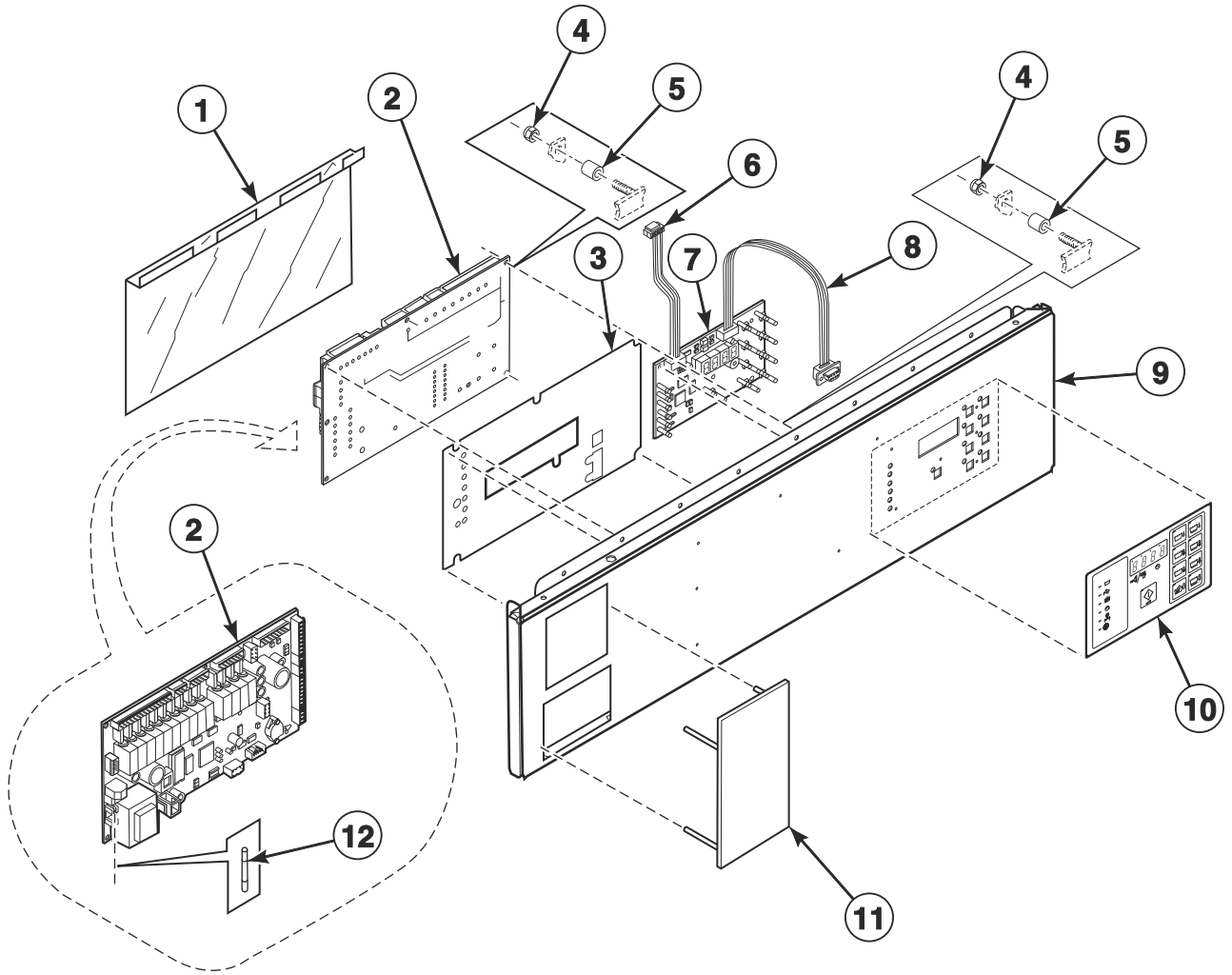


CFD657P\_D1359

## Control Panel - WE-8

REF	PART NO.	DESCRIPTION	COMMENTS
	B12348902	E-Stop Harness	
	B12348903	E-Stop Drive Harness	
	B12495501	Key Switch Harness	
	B12388302	Ribbon Assembly	
1	B12436301	Operating Panel	
2	F8435601	Overlay	UX models
	225/00435/00	Overlay	SX models
	225/00436/00	Logo Decal	HX models
3	209/00099/26	Contact Switch	NO
4	209/00029/26	Contact Switch	NC
5	B12491801	Contact Harness	
6	209/00520/00	Telem Sticker	
7	209/00248/00	Mushroom Pushbutton	
8	209/00326/21	Programming Key	Key code 455
9	209/00326/20	Programming Key Contact Switch	
10	B12491701	Contact Harness	
11	225/00388/00	Overlay	Control
12	211/00140/00	Spacer	
13	223/00123/00	Washer	
14	204/00116/00	Nut	
15	209/00580/03	Display	
16	B12388302	Ribbon Assembly	
17	B12388305	Ribbon Assembly	
18	204/00008/00	Nut	
19	203/00007/00	Washer	

# Control Panel - B-Series



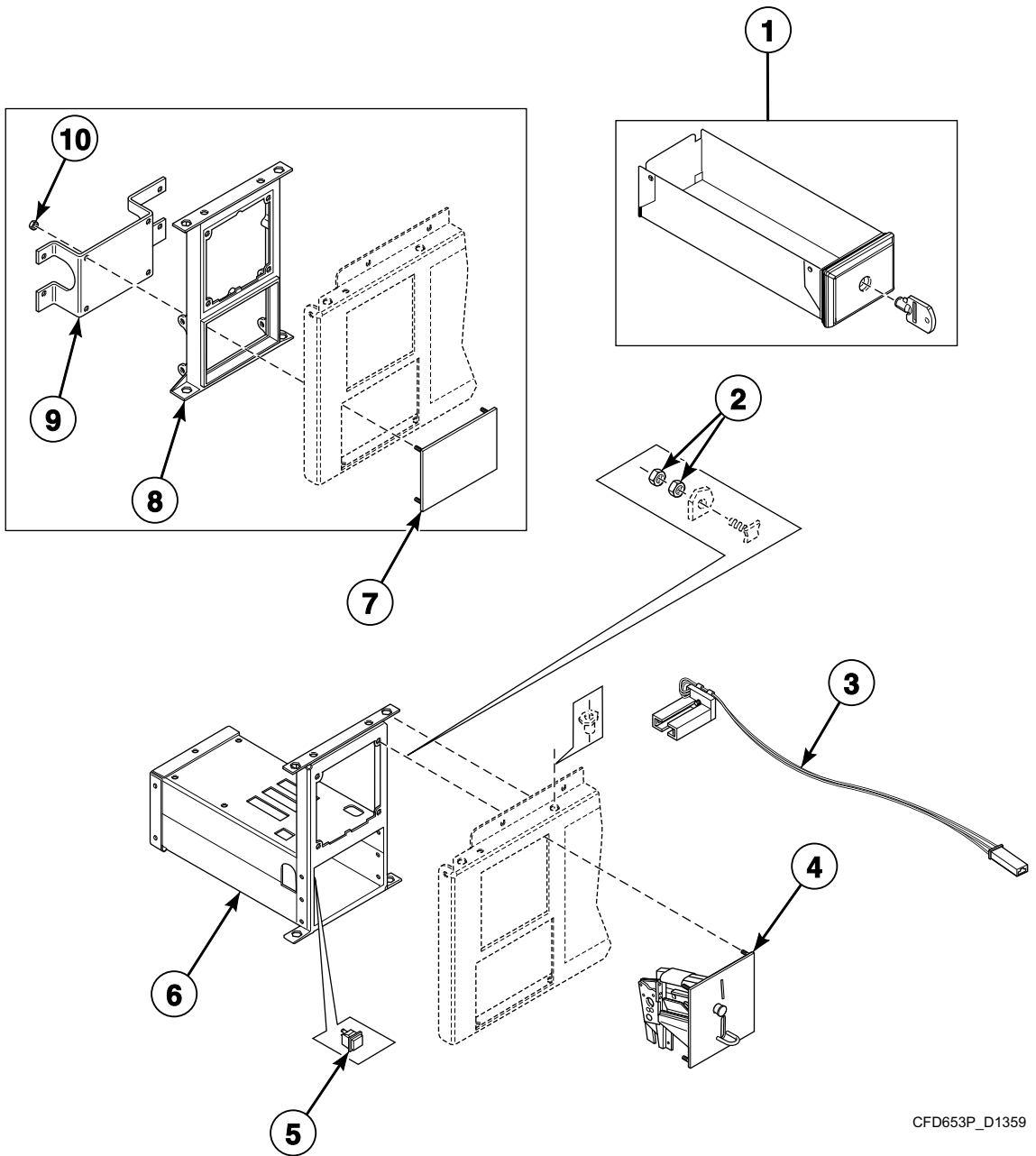
CFD2475P\_D1359

## Control Panel - B-Series

REF	PART NO.	DESCRIPTION	COMMENTS
	B12530201	Coin Drop Power Harness	
	B12531201	Central Payment Key Switch Harness	
	B12531301	Direct Fill and Central Payment Harness	
	B12531401	Central Payment Harness	
	B12392705	Direct Fill Harness	
	B12348904	Drive Stop or Bypass Harness	
<b>1</b>	229/00262/50	Circuit Board Cover	
<b>2</b>	209/0058000/98	Main Control	
<b>3</b>	229/00255/00	Insulating Sticker	
<b>4</b>	204/00116/00	Nut	
<b>5</b>	211/00107/00	Spacer	
<b>6</b>	9001417	Flat Cable	Program switch
<b>7</b>	9002063	Computer Board	
<b>8</b>	B12388303	Programming Cable	
<b>9</b>	B12523401	Operation Panel	Models with coin meter
	B12540601	Operation Panel	Models with central payment
<b>10</b>	B12524901	Overlay	
<b>11</b>	111/01004/00	Front Panel	Gray
	111/01003/00	Top Panel	Black
<b>12</b>	209/00372/01	Fuse	

# Coin Drop - Mechanical Coin Meter

Cygnus Commercial, Cygnus Premium, Cygnus Standard, Cygnus Vended, STANDARD and B-Series Models



CFD653P\_D1359

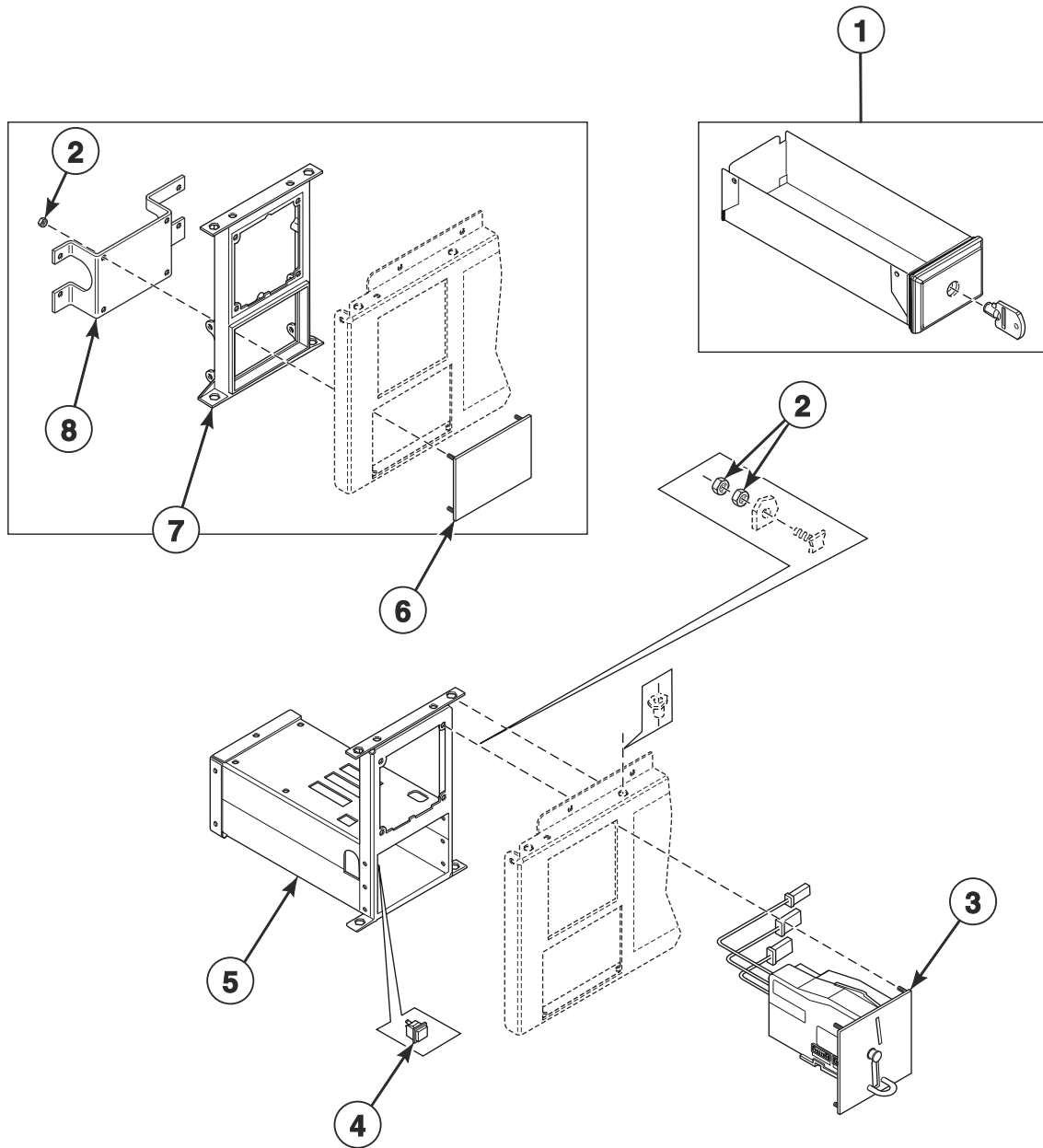


## Coin Drop - Mechanical Coin Meter

REF	PART NO.	DESCRIPTION	COMMENTS
	209/00781/00	Optical Switch	
1	254/00077/00	Coin Box	
	254/00077/02	Key	
2	204/00116/00	Nut	
3	B12309901	Wire Harness Assembly	Single/dual drop
	B12310001	Wire Harness Assembly	B-series; Single/dual drop
	B12359902	Optical Coin Drop Switch	B-series; Single/dual drop
4	B12311224	Coin Drop	Mechanical; Jeton 5K
	B12311206	Coin Drop	Mechanical; Jeton 7K
	B12311201	Coin Drop	Mechanical; Jeton 10K
	B12311210	Coin Drop	Mechanical; Jeton 12K
	B12311252	Coin Drop	Mechanical; Jeton 10K and .5 euro
	B12311211	Coin Drop	Mechanical; Jeton 7K and 1 euro
	B12323901	Coin Drop	Mechanical; Jeton 15K and 7K
	B12311204	Coin Drop	Mechanical; Jeton gettone
	B12311234	Coin Drop	Mechanical; Jeton crouzet
	B12311247	Coin Drop	Mechanical; Jeton 118-1
	B12311248	Coin Drop	Mechanical; Jeton 118-5
	B12311222	Coin Drop	Mechanical; 1 euro
	B12311214	Coin Drop	Mechanical; .5 euro
	B12311202	Coin Drop	Mechanical; .5 and 1 euro
	B12311239	Coin Drop	Mechanical; .5 and 2 euro
	B12311205	Coin Drop	Mechanical; .2 and 1 euro
	B11211209	Coin Drop	Mechanical; .2 and .5 euro
	B12311218	Coin Drop	Mechanical; 1 and 1 euro
	B12311219	Coin Drop	Mechanical; 1 and 2 euro
	B12311203	Coin Drop	Mechanical; 1 and 2 frank
	B12311207	Coin Drop	Mechanical; 1 Deense kroon
	B12311225	Coin Drop	Mechanical; 10 Deense kronen
	B12311235	Coin Drop	Mechanical; 10 Tsjechische kronen
	B12311244	Coin Drop	Mechanical; 10 Noorse kronen
	B12311208	Coin Drop	Mechanical; 100 and 500 yen
	B12311212	Coin Drop	Mechanical; 15K
	B12311215	Coin Drop	Mechanical; 1 kro
	B12311226	Coin Drop	Mechanical; Australia 1.00
	B12311216	Coin Drop	Mechanical; Australia .2 and 1.00
	B12311220	Coin Drop	Mechanical; New Zealand 1.00
	B12311221	Coin Drop	Mechanical; .5 and 2 zwitsers
	B12311241	Coin Drop	Mechanical; Hong Kong 1.00
	B12311249	Coin Drop	Mechanical; Hong Kong 5.00
	B12311301	Coin Drop	Mechanical; U.S. \$.025
B12311302	Coin Drop	Mechanical; U.S. \$.025 and \$1.00	
B12311304	Coin Drop	Mechanical; Canada 1.00 and .25	
B12323401	Coin Drop	Mechanical; Singapore 1.00	
5	209/00396/00	Pushbutton	
6	152/00112/00	Mechanical Coin Meter Housing	
7	111/01003/00	Top Panel	Black; Central pay option
8	217/00060/00	Fastening Piece	Central pay option
9	111/01005/00	Backplate	Central pay option
10	204/00116/00	Nut	Central pay option

# Coin Drop - Electronic Coin Meter

Cygnus Commercial, Cygnus Premium, Cygnus Standard, Cygnus Vended, STANDARD and B-Series Models

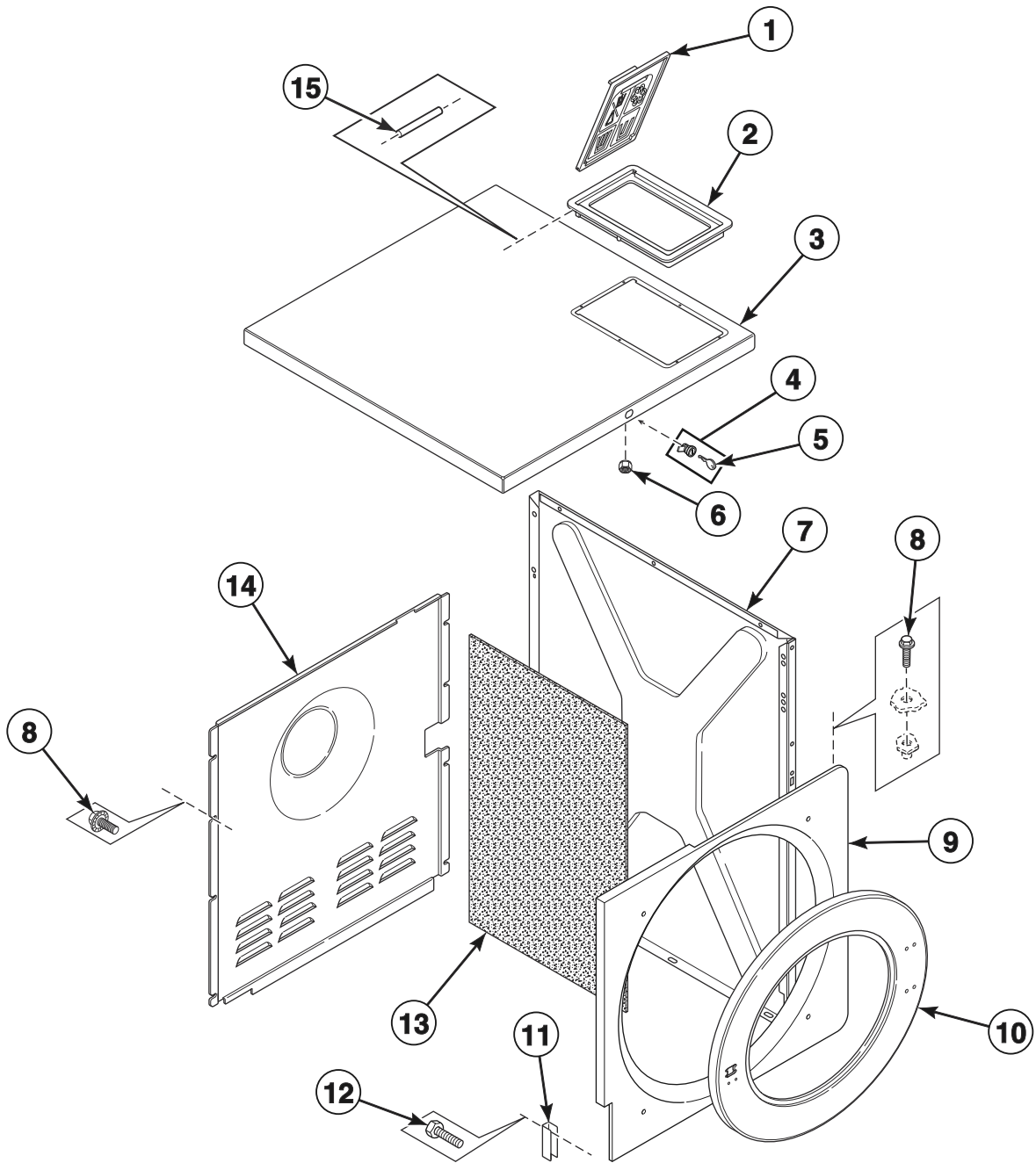


CFD617P\_D1359

## Coin Drop - Electronic Coin Meter

REF	PART NO.	DESCRIPTION	COMMENTS
	B12309901	Wire Harness Assembly	Single/dual drop
	B12310001	Wire Harness Assembly	Dual drop
	B12359902	Optical Coin Drop Switch	B-series; Single/dual drop
<b>1</b>	254/00077/00	Coin Box	
	254/00077/02	Key	
<b>2</b>	204/00116/00	Nut	
<b>3</b>	B12311401	Coin Drop	
<b>4</b>	209/00396/00	Pushbutton	
<b>5</b>	152/00112/50	Electronic Coin Meter Housing	
<b>6</b>	111/01003/00	Top Panel	Black; Central pay option
<b>7</b>	217/00060/00	Fastening Piece	Central pay option
<b>8</b>	111/01005/00	Backplate	Central pay option

# Right Side, Front, Lower Rear and Top Panels

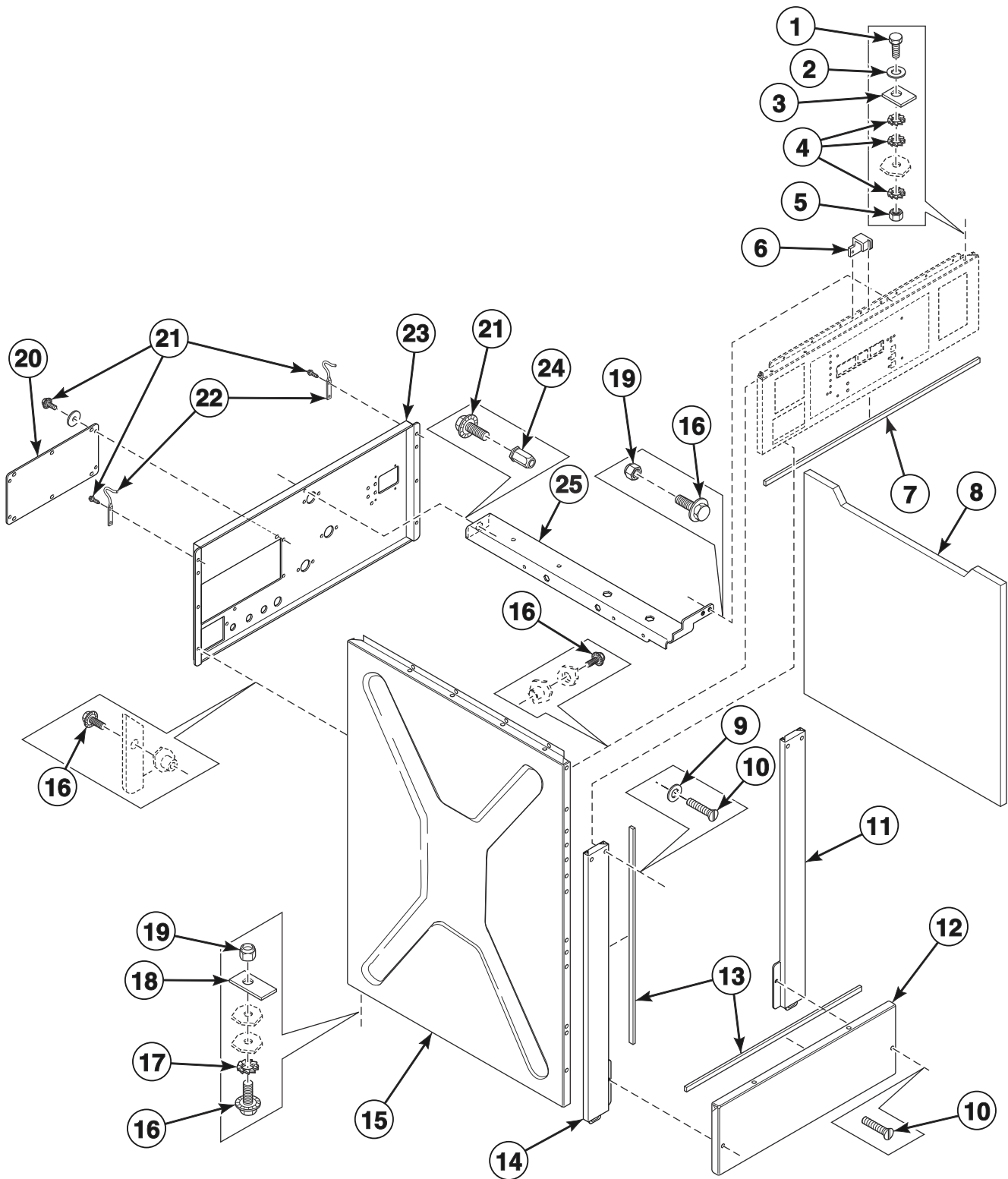


CFD2482P\_D1359

## Right Side, Front, Lower Rear and Top Panels

REF	PART NO.	DESCRIPTION	COMMENTS
	B12611901	Vibration/Noise Reduction Kit	
1	B12319101	Supply Dispenser Cover	US
	B12356701	Supply Dispenser Cover	International
2	B12597501	Supply Dispenser Cover Frame	
3	B12333001	Top Panel	*30 and *135 models
	B12333101	Top Panel	*35 and *165 models
4	44089303P	Panel Lock	Includes item 5
5	70155603	Key	
6	B12509101	Nut	
7	111/22723/10	Side Panel	*30 and *135 models; Stainless steel
	111/60035/00	Side Panel	*30 and *135 models; Black
	111/22728/10	Side Panel	*35 and *165 models; Stainless steel
	111/60036/00	Side Panel	*35 and *165 models; Black
8	206/00104/00	Screw	
9	B12354401	Front Panel	
10	B12337201	Door Frame	
11	111/10089/01	Reinforcement Plate	
12	206/00114/00	Bolt	
13	246/00079/00	Side Panel Gasket	
14	B12332901	Lower Rear Panel	
15	223/00103/04	Soap Dispenser Cover Hinge Rod	2 used

# Left Side, Lower Front and Upper Rear Panels

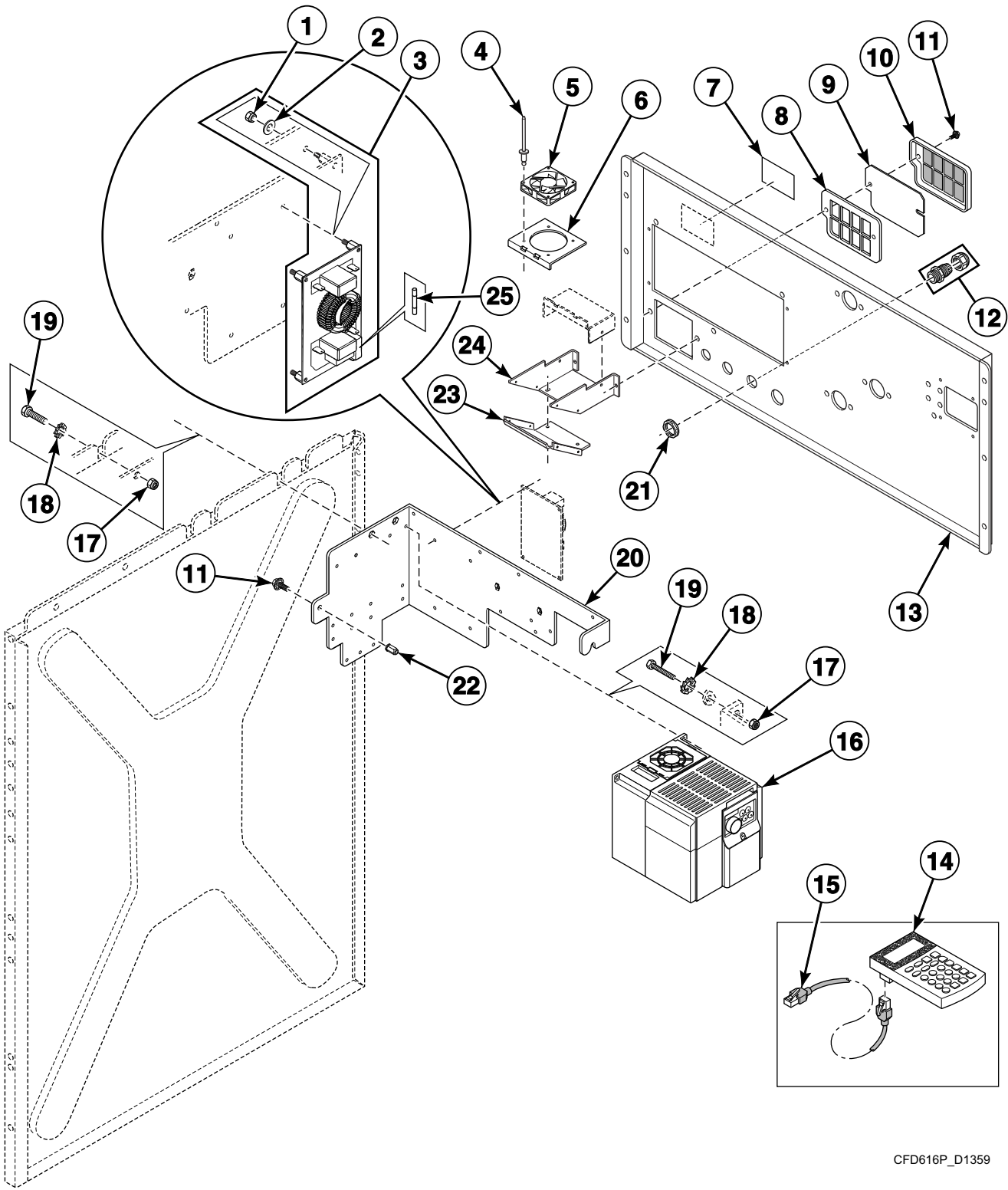


CFD2536P\_D1359

## Left Side, Lower Front and Upper Rear Panels

REF	PART NO.	DESCRIPTION	COMMENTS
1	205/00106/00	Bolt	
2	202/00003/00	Washer	
3	117/00042/00	Retaining Ring	
4	203/00005/00	Washer	
5	204/00107/00	Nut	
6	F8201001	Top Cover Latch	
7	246/00149/00	Gasket	
8	246/00079/00	Side Panel Gasket	
9	208/00009/00	Washer	
10	B12500601	Screw	
11	B12354201	Side Plate	Right
12	B12343301	Lower Front Panel	
13	B12611001	Cellular Rubber	
14	B12354301	Side Plate	Left
15	111/22723/10	Side Panel	*30 and *135 models; Stainless steel
	111/60035/00	Side Panel	*30 and *135 models; Black
	111/22728/10	Side Panel	*35 and *165 models; Stainless steel
	111/60036/00	Side Panel	*35 and *165 models; Black
16	205/00105/00	Bolt	
17	203/00004/00	Washer	
18	101/00007/00	Outlet Pipe Plate Assembly	
19	204/00009/00	Nut	
20	B12312501	Main Switch Cover	
21	206/00104/00	Screw	
22	F8258601	Top Cover Hinge	
23	B12332801	Backbridge	
24	204/00011/00	Nut	
25	B12333301	Supply Dispenser Crossbar	*30 and *135 models
	B12333401	Supply Dispenser Crossbar	*35 and *165 models

# Inverter Drive



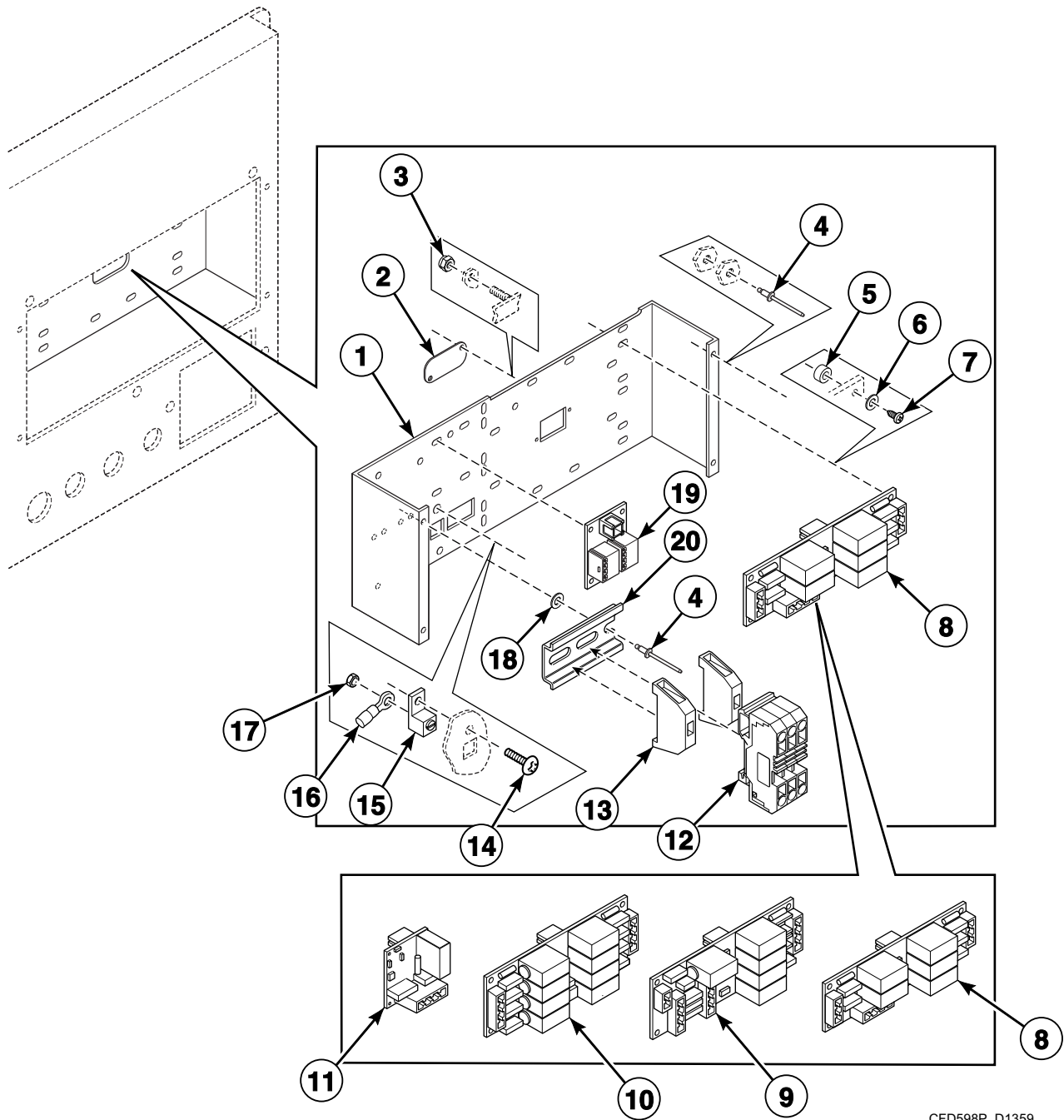
CFD616P\_D1359



# Inverter Drive

REF	PART NO.	DESCRIPTION	COMMENTS
	B12501501	E-Stop Drive Fan Harness	Cygnus, PRO and STANDARD models
	B12501502	E-Stop Drive Fan Harness	WE-8 and B-Series models
	B12495601	Drive Source Harness	WE-8 and B-Series models; C, N and P-voltage
	B12350101	Ethernet Cable	Cygnus, PRO and STANDARD models
1	204/00014/00	Nut	
2	202/00004/00	Washer	
3	B12339401	Noise Filter	30A1; 1x230 Volt; C, Q and X-voltage
	227/00242/00	Noise Filter	8A3; 3x400 Volt; N and P-voltage
4	208/00017/00	Rivet	
5	209/00465/00	Fan	
6	B12357201	Fan Mounting Plate	
7	B12355001	Voltage Discharge Decal	
8	B12551301	Air Duct	Inside
9	B12382401	Inverter Air Inlet Filter Grill	
10	B12346701	Inverter Air Inlet Filter Frame	Outside
11	206/00104/00	Screw	
12	200/00181/00	Strain Relief Connector	
13	B12332801	Backbridge	
14	227/00171/00	Parameter Unit Assembly	Hand held
15	227/00171/10	Parameter Unit Program Cable	
16	F8645301P	Inverter Drive	FR-D7205-100-E8 series; 1x230 Volt; C, Q and X-voltage; Ripon order desk part number
	F8645401P	Inverter	FR-D740-050-E series; 3x400 Volt; N and P-voltage; Ripon order desk part number
	227/00230/00	Inverter Drive	FR-D7205-100-E8 series; 1x230 Volt; C, Q and X-voltage; Pribor order desk part number
	227/00238/00	Inverter	FR-D740-050-E series; 3x400 Volt; N and P-voltage; Pribor order desk part number
17	204/00114/00	Nut	
18	203/00006/00	Washer	
19	206/00088/00	Bolt	
20	B12333201	Inverter Drive Box	
21	211/00170/00	Nut	
22	204/00011/00	Nut	
23	B12342701	Air Inlet Bottom	
24	B12342501	Air Inlet	
25	B12389501	Fuse	3.15 A; 500 Volt; Used with 227/00242/00 Noise Filter; N and P-voltage
	209/00468/00	Fuse	3.15 A; Used with B12339401 Noise Filter; C, Q and X-voltage

# Printboard Support Panel and Soap Injection Printboards - Cygnus, PRO and STANDARD Models

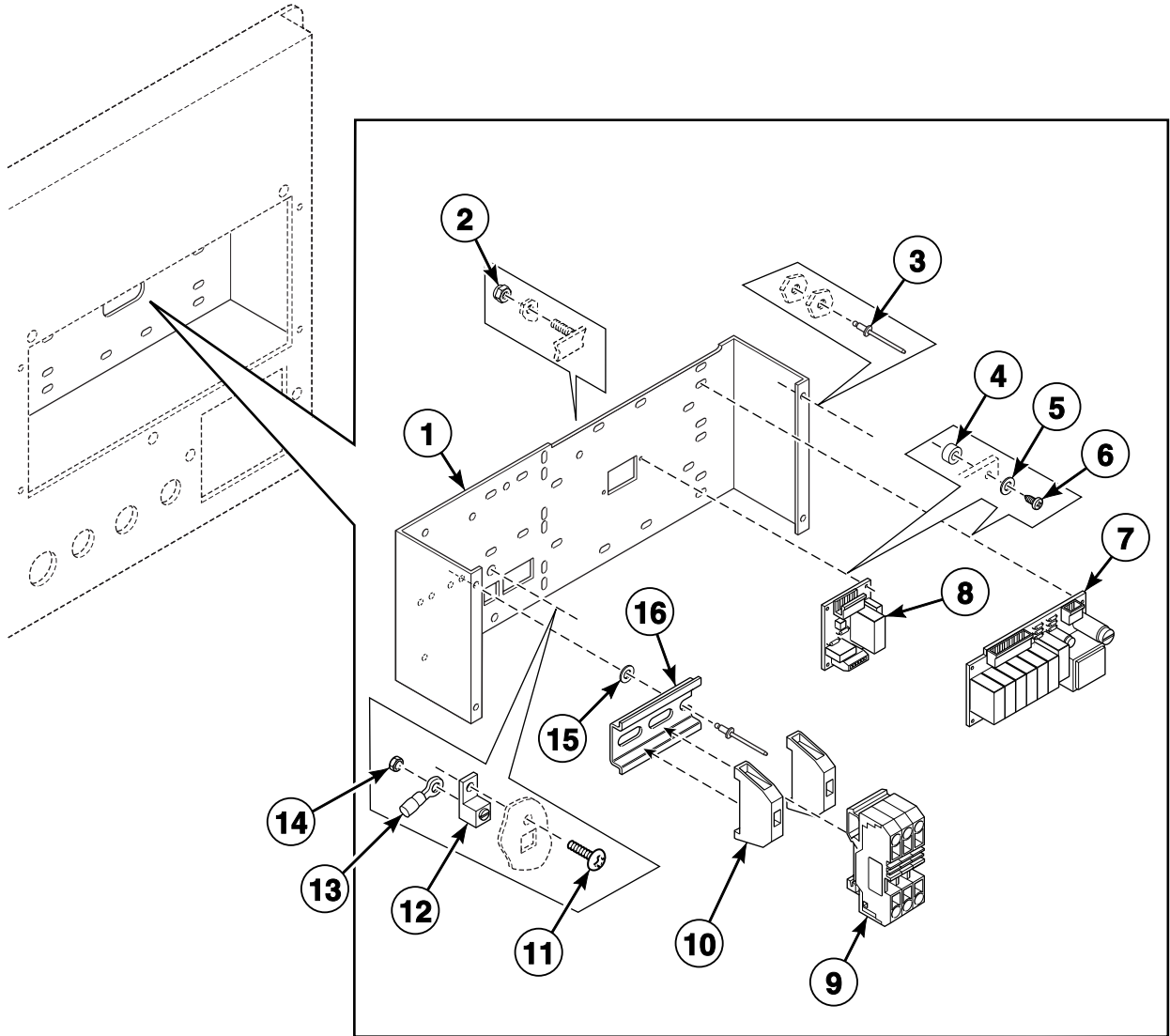


CFD598P\_D1359

## Printboard Support Panel and Soap Injection Printboards - Cygnus, PRO and STANDARD Models

REF	PART NO.	DESCRIPTION	COMMENTS
	B12388301	Ribbon Assembly	Used with items 8-11
	B12529201	Extension Board Kit	Used with items 8-11; Includes items 2-7, 18, B12381402 Control Supply Harness, B12388301 Ribbon Assembly, 201616 Transformer, 70030501 Expansion Clip, B12462901 Screw and B12319608 Diagram; Does not include extension board
	B12529301	Network Kit	Includes items 3, 5-7, 19, 211/00128/00 Printboard Separator, B12341801 Printboard and B12390201 Network Connection Wiring
<b>1</b>	B12312401	Printboard Support	
<b>2</b>	B12382501	Flat Cable Plate	
<b>3</b>	204/00116/00	Nut	
<b>4</b>	208/00017/00	Rivet	
<b>5</b>	B12390301	Standoff	
<b>6</b>	223/00123/00	Washer	
<b>7</b>	B12393801	Screw	
<b>8</b>	209/02005/00	Detergent PC-Board	1-5
<b>9</b>	209/02014/00	Relay PC-Board	5-5
<b>10</b>	209/02008/00	Detergent PC-Board	1-8
<b>11</b>	209/02016/00	Relay PC-Board	1-1
<b>12</b>	209/01625/00	Terminal Block	Gray; 3 on C, N, P and Q-voltage; 1 on X-voltage
	209/01624/00	Terminal Block	Blue; 1 on C and X-voltage
	209/01625/01	Terminal End	
<b>13</b>	209/00633/02	End Stop	
<b>14</b>	206/00104/00	Screw	
<b>15</b>	M411283	Ground Lug Connector	
<b>16</b>	B12456001	Wiring Earth for Inverter	
<b>17</b>	206/00101/00	Nut	
<b>18</b>	202/00004/00	Washer	
<b>19</b>	B12344201	Network Board	Network models
<b>20</b>	B12315401	DIN Rail	60 mm

# Printboard Support Panel and Soap Injection Printboards - WE-8 and B-Series Models

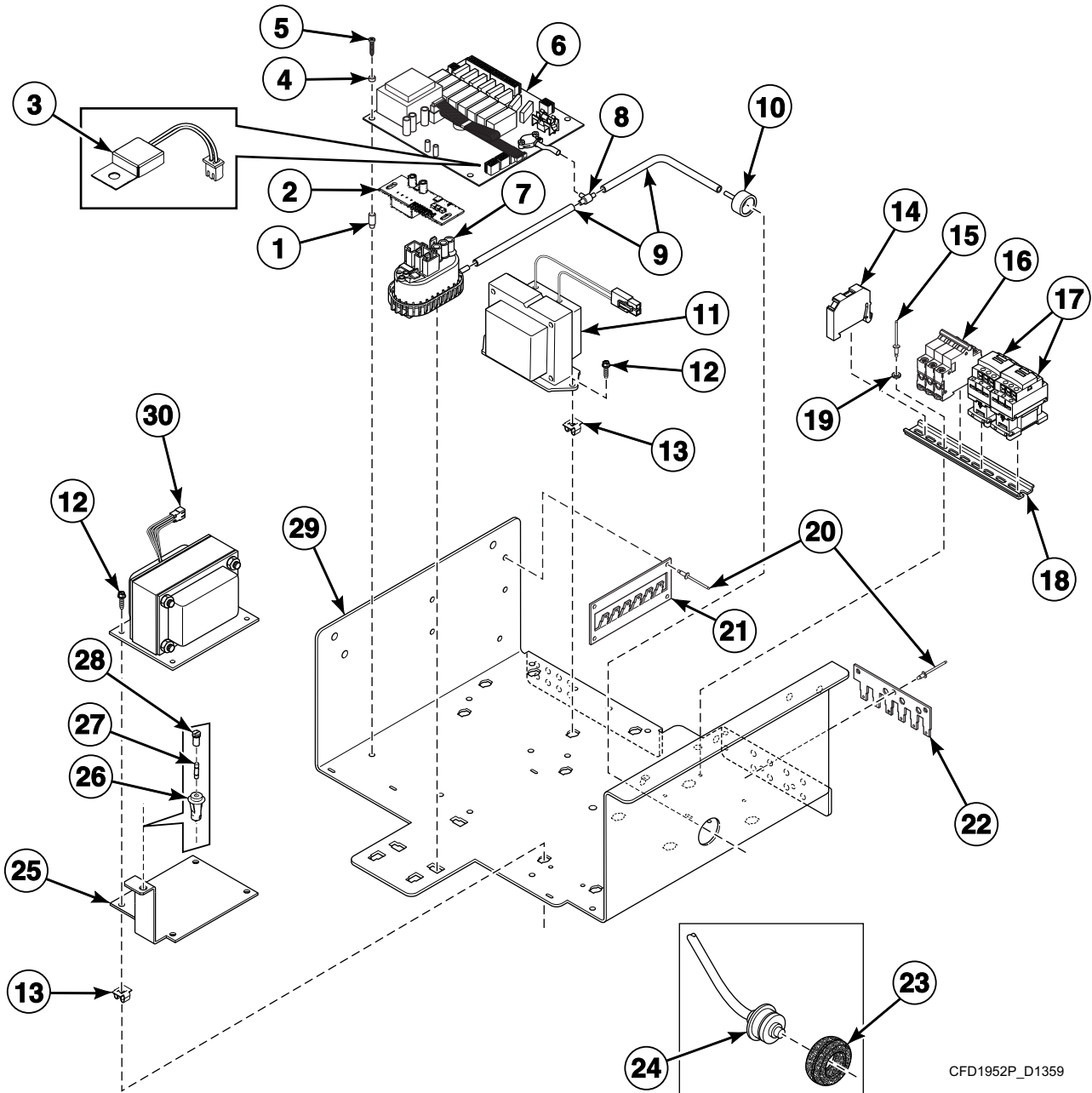


CFD2453P\_D1359

## Printboard Support Panel and Soap Injection Printboards - WE-8 and B-Series Models

REF	PART NO.	DESCRIPTION	COMMENTS
	B12495702	Soap Board Harness	Used with item 9
1	B12312401	Printboard Support	
2	204/00116/00	Nut	
3	208/00017/00	Rivet	
4	B12390301	Standoff	
5	223/00123/00	Washer	
6	B12393801	Screw	
7	209/00218/13	Soap Injection PCB with Fuse	
8	209/00438/50	Central Control Board	240 Volt
9	209/01625/00	Terminal Block	Gray; 3 on C, N, P and Q-voltage; 1 on X-voltage
	209/01624/00	Terminal Block	Blue; 1 on C and X-voltage
	209/01625/01	Terminal End	
10	209/00633/02	End Stop	
11	206/00104/00	Screw	
12	M411283	Ground Lug Connector	
13	B12456001	Wiring Earth for Inverter	
14	206/00109/00	Nut	
15	202/00004/00	Washer	
16	B12315401	DIN Rail	60 mm

# Electrical Component Mounting Plate - Cygnus, PRO and STANDARD Models

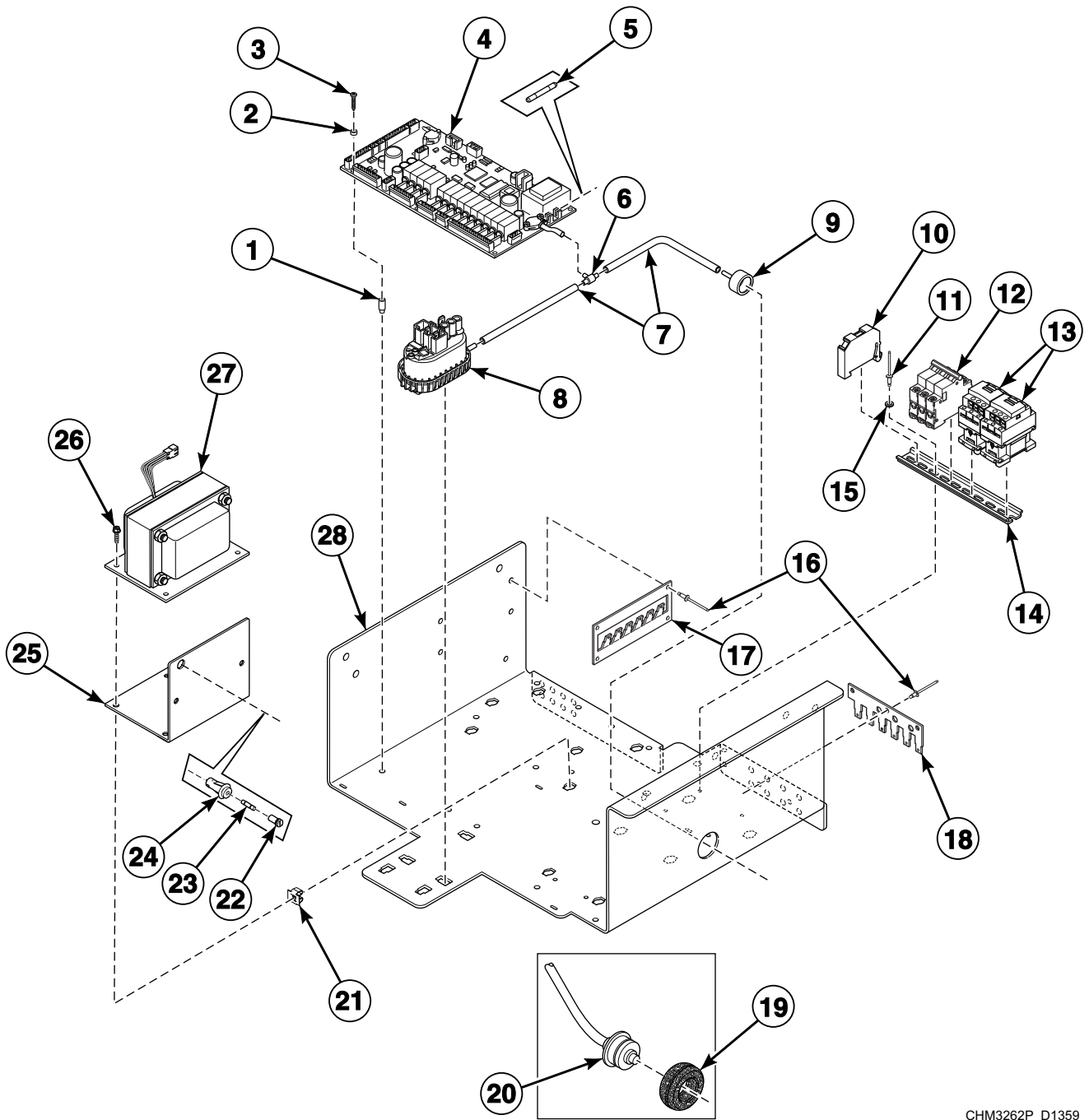


CFD1952P\_D1359

## Electrical Component Mounting Plate - Cygnus, PRO and STANDARD Models

REF	PART NO.	DESCRIPTION	COMMENTS
	B12392701	Direct Fill Harness	
	B12381101	Main Control Tray Harness	
	B12348801	Control Communication Harness	
	B12348301	Control Supply Harness	N and P-voltage
	B12348101	Control Supply Harness	C, Q and X-voltage
	B12381402	Control Supply Harness	24 VAC; Direct fill
	B12390201	Network Connection Wiring	
1	B12390301	Standoff	
2	B12341801	Printboard	Network models
3	209/02020/00	ID Chip	
4	223/00123/00	Washer	
5	B12393801	Screw	
6	B12360001	Fuse	1.25A
	B12355701	Control Board	
7	B12548301	Pressure Switch	Single lever; 230/195; Electric, steam and dual heat
8	223/00173/10	Pressure Switch Hose Tee	
9	B12700018	Pressure Hose	
10	223/00035/02	Pressure Switch Cap	
11	201616P	Transformer	Models with extension boards
12	B12462901	Screw	
13	70030501	Expansion Clip	N and P-voltage
14	209/00633/02	End Stop	Electric, steam and dual heat
15	208/00017/00	Rivet	
16	B12487101	Circuit Breaker	C and Q-voltage; Electric heat
	B12474601	Circuit Breaker	N and P-voltage; Electric heat
17	209/06148/02	Heating Contactor	1 on C, N and P-voltage; 2 on Q-voltage; Electric heat
18	B12315301	DIN Rail	200 mm
19	202/00004/00	Washer	
20	208/00027/00	Rivet	
21	B12395201	Earth Plate Side	
22	B12395301	Earth Plate Bottom	
23	225/10004/00	Thermostat Grommet	
24	210/01064/16	Thermostat	
25	B12439601	Transformer Fuse Mounting Plate	N and P-voltage
26	70329401P	Fuse Holder Body	N and P-voltage
27	802492	Fuse	N and P-voltage
28	70329501	Fuse Holder Cap	N and P-voltage
29	B12313001	Electrical Component Mounting Plate	
30	F8401301	Transformer	N and P-voltage

# Electrical Component Mounting Plate - WE-8 and B-Series Models



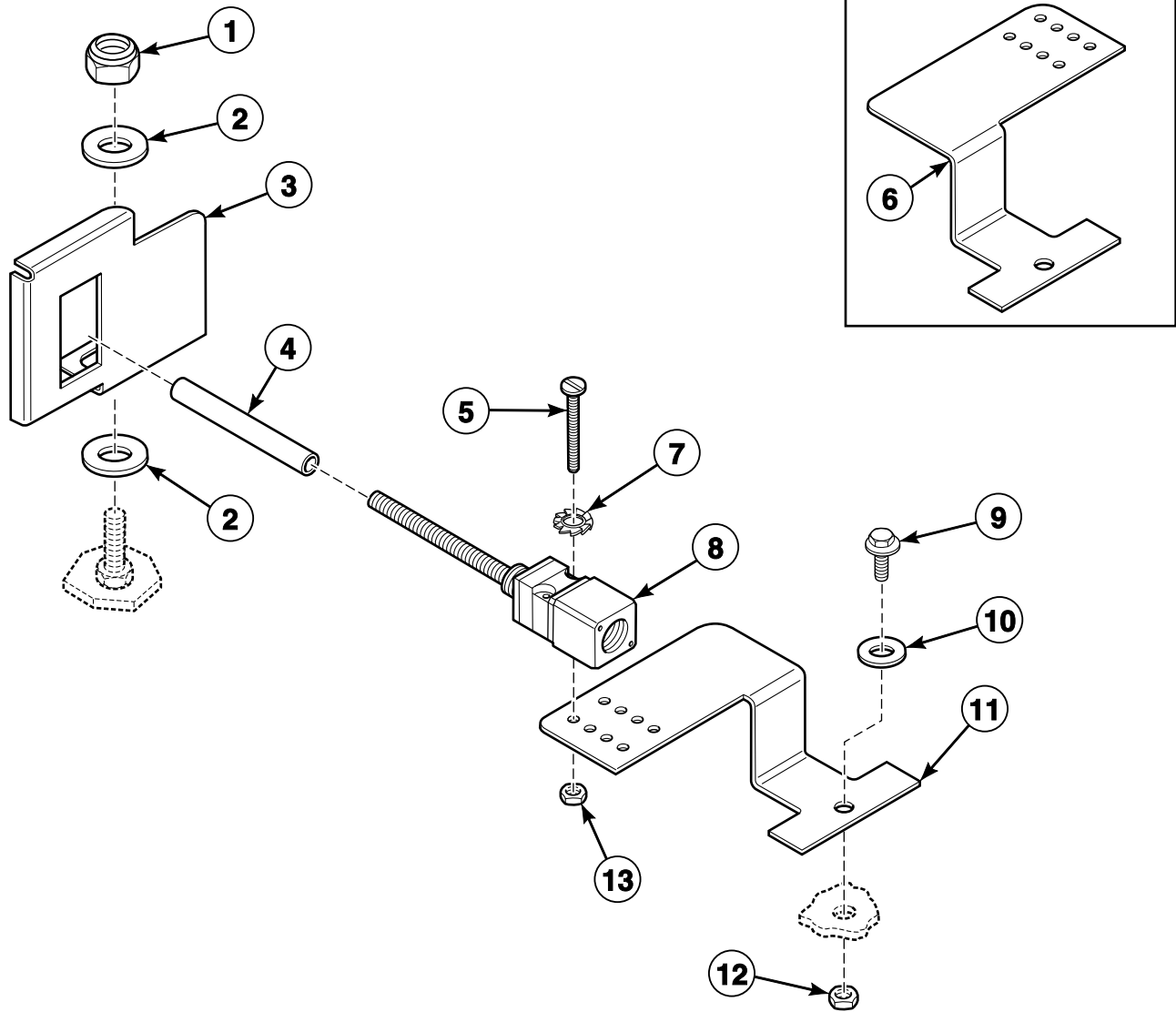
CHM3262P\_D1359



# Electrical Component Mounting Plate - WE-8 and B-Series Models

REF	PART NO.	DESCRIPTION	COMMENTS
	B12348303	Control Supply Harness	N and P-voltage
	B12348103	Control Supply Harness	C, Q and X-voltage
	B12381103	Main Control Tray Harness	
	B12392704	Direct Fill Harness	240 Volt
1	B12390301	Standoff	
2	223/00123/00	Washer	
3	B12393801	Screw	
4	B12565801	Main Control	
5	209/00372/01	Fuse	.125 Amp
6	223/00173/10	Pressure Switch Hose Tee	
7	B12700018	Pressure Hose	
8	B12548301	Pressure Switch	Single lever; 230/195; Electric and steam heat
9	223/00035/02	Pressure Switch Cap	
10	209/00633/02	End Stop	Electric, steam and dual heat
11	208/00027/00	Rivet	
12	B12487101	Circuit Breaker	C and Q-voltage; Electric heat
	B12474601	Circuit Breaker	N and P-voltage; Electric heat
13	209/06148/02	Heating Contactor	1 on C, N and P-voltage; 2 on Q-voltage; Electric heat
14	B12315301	DIN Rail	200 mm
15	202/00004/00	Washer	
16	208/00017/00	Rivet	
17	B12395201	Earth Plate Side	
18	B12395301	Earth Plate Bottom	
19	225/10004/00	Thermostat Grommet	
20	210/01064/16	Thermostat	
21	70030501	Expansion Clip	
22	70329501	Fuse Holder Cap	N and P-voltage
23	802492	Fuse	N and P-voltage
24	70329401P	Fuse Holder Body	N and P-voltage
25	B12439701	Transformer Fuse Mounting Plate	N and P-voltage
26	B12462901	Screw	
27	F8401301	Transformer	N and P-voltage
28	B12313002	Electrical Component Mounting Plate	

# Balance Switch

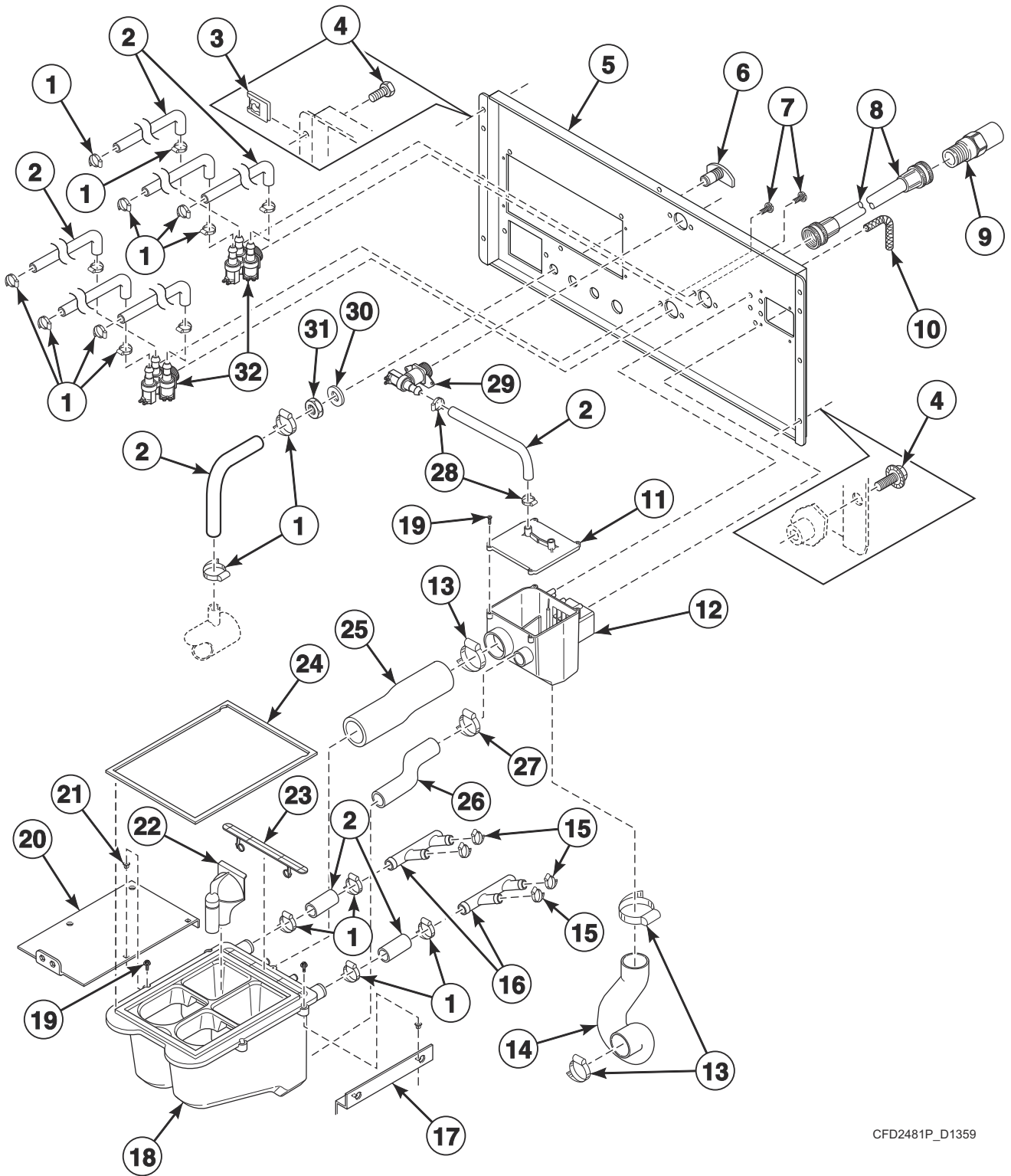


BE000625AP\_D1359

## Balance Switch

REF	PART NO.	DESCRIPTION	COMMENTS
	B12349901	Out-of-Balance Switch Wiring Harness	Cygnus, PRO and STANDARD models
	B12349902	Out-of-Balance Switch Harness	WE-8 and B-Series models
<b>1</b>	204/00110/00	Nut	
<b>2</b>	201/00010/00	Washer	
<b>3</b>	111/01854/00	Tilt Detector Plate	
<b>4</b>	223/00246/00	Out-of-Balance Switch Boot	
<b>5</b>	207/00018/00	Screw	
<b>6</b>	111/01856/00	Tilt Switch Support	Left
<b>7</b>	203/00006/00	Washer	
<b>8</b>	209/00255/00	Out-of-Balance Switch	
<b>9</b>	206/00104/00	Screw	
<b>10</b>	201/00006/00	Washer	
<b>11</b>	111/01855/00	Tilt Switch Support	Right
<b>12</b>	204/00005/00	Nut	
<b>13</b>	204/00007/00	Nut	

# Fill Plumbing Assembly

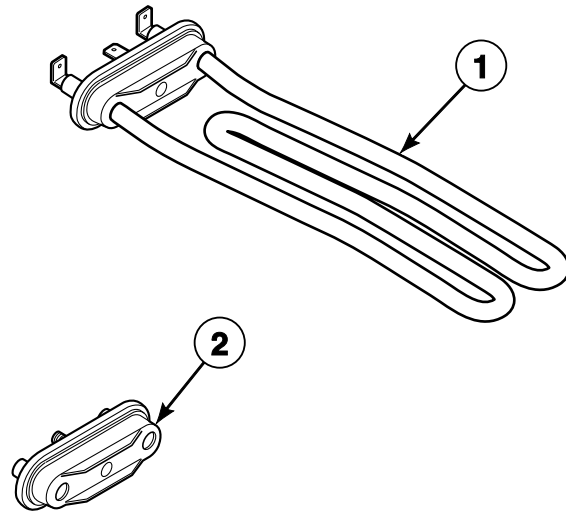


CFD2481P\_D1359

## Fill Plumbing Assembly

REF	PART NO.	DESCRIPTION	COMMENTS
	B12349201	Inlet Valve Harness	Cygnus, PRO and STANDARD models
	B12349202	Inlet Valve Harness	WE-8 and B-Series models
1	223/00010/00	Hose Clamp	
2	223/00044/00	Water Hose	
3	70030501	Expansion Clip	
4	B12462901	Screw	
5	B12332801	Backbridge	
6	223/00001/04	Prewash and Mainwash Nozzle	
7	206/00027/00	Bolt	
8	F200164	Water Hose	Standard thread; All models except A and Y market models
	F200166	Water Hose	Metric thread; All models except A and Y market models
	B8498901	Fill Hose	A and Y market models
9	203386	Check Valve Kit	A and Y market models
10	B12687401	Pressure Hose	
11	B12532304	Vacuum Breaker Cover	
12	F8439201	Vacuum Breaker Housing	
13	223/00014/00	Hose Clamp	
14	B12324506	Siphon Break Hose	
15	223/00011/00	Hose Clamp	
16	F8333201	Manifold	
17	B12316401	Supply Dispenser Support	
18	F8047401	Dispenser Assembly	
19	B12462801	Screw	
20	B12335101	Supply Dispenser Mounting Plate	
21	B12463001	Insert	
22	F8047901	Siphon Cover	
23	F8047801	Access Cover	
24	B12568601	Dispenser Gasket	
25	B12390004	Vacuum Supply Hose	*30 and *135 models
	B12390005	Vacuum Supply Hose	*35 and *165 models
26	B12313303	Dispenser Overflow Hose	*30 and *135 models
	B12313304	Dispenser Overflow Hose	*35 and *165 models
27	223/00223/00	Hose Clamp	
28	223/00013/00	Hose Clamp	
29	209/00276/00	Inlet Valve	1-way; Hard water rinse optional; Metric thread
	223/00050/01	Water Valve Adapter	Standard thread
30	201/00002/00	Washer	
31	204/00201/00	Nut	
32	F8286401P	3-Way Valve	Standard thread
	F8286402P	3-Way Valve	Metric thread

# Electric and Steam Heating Options



CFD533P\_D1359

## Electric and Steam Heating Options

REF	PART NO.	DESCRIPTION	COMMENTS
	B12348501	Branch Harness	N and P-voltage
	B12348506	Branch Harness	Q-voltage
	B12348502	Branch Harness	C-voltage
	B12349604	Electric Heat Harness	WE-8 and B-Series models
	B12349603	Electric Heat Harness	Cygnus, PRO and STANDARD models
	B12349803	Dual Heat Harness	Cygnus, PRO and STANDARD models
	B12455803	Heat Harness	1; Q-voltage
	B12455804	Heat Harness	2; Q-voltage
	B12455903	Heat Harness	1; C, N and P-voltage
	B12455904	Heat Harness	2; C, N and P-voltage
	B12381301	Heating Harness	Q-voltage
	B12308001	Relay	Steam heat
	B12349704	Steam Heat Harness	WE-8 and B-Series models
	B12349701	Steam Heat Harness	Cygnus, PRO and STANDARD models
	B12382302	Steam Valve Harness	Cygnus, PRO and STANDARD models
	209/00099/25	Switch Base	Dual heat
	209/00099/29	Switch Knob	Dual heat
	B12381204	Power Jumper Harness	Q-voltage
<b>1</b>	209/00564/20	Heating Element	3kW; 275 Volt; N-voltage
	209/00563/20	Heating Element	*30 and *135 models; 2kW; 240 Volt; C, P and Q-voltage
	209/00562/20	Heating Element	*35 and *165 models; 3kW; 240 Volt; C, P and Q-voltage
<b>2</b>	209/00196/00	Heating Element Plug	





# Parts Index

## A

Access Cover	
F8047801 .....	67
Air Duct	
B12551301 .....	55
Air Inlet	
B12342501 .....	55
Air Inlet Bottom	
B12342701 .....	55

## B

Backbridge	
B12332801 .....	53, 55, 67
Backplate	
111/01005/00 .....	47, 49
Ball Bearing	
212/00004/00 .....	13
Basket and Shaft Assembly	
B12539501 .....	11, 15
B12539701 .....	11, 15
Bearing	
F100134 .....	13
Bearing Housing Assembly	
152/10118/00 .....	13
152/10118/01 .....	13
Bearing Kit	
3882P .....	13
Bearing Replacement Tool Kit	
381P3P .....	13
381P3-1 .....	13
Belt	
226/00121/00 .....	15, 17
Bolt	
205/00102/00 .....	13
205/00104/00 .....	13
205/00105/00 .....	53
205/00106/00 .....	23, 53
206/00004/00 .....	15
206/00006/00 .....	17
206/00027/00 .....	67
206/00032/00 .....	11
206/00033/00 .....	19
206/00037/00 .....	9
206/00088/00 .....	55
206/00114/00 .....	51
Branch Harness	
B12348501 .....	69
B12348502 .....	69
B12348506 .....	69

## C

Caddy Bracket	
224/00051/00 .....	13
224/00052/00 .....	13

Cellular Rubber	
B12611001 .....	53
Central Control Board	
209/00438/50 .....	59
Central Payment Harness	
B12531401 .....	45
Central Payment Key Switch Harness	
B12531201 .....	45
Check Valve Kit	
203386 .....	67
Circuit Board Cover	
229/00262/50 .....	45
Circuit Breaker	
B12474601 .....	61, 63
B12487101 .....	61, 63
Coin Box	
254/00077/00 .....	47, 49
Coin Drop	
B11211209 .....	47
B12311201 .....	47
B12311202 .....	47
B12311203 .....	47
B12311204 .....	47
B12311205 .....	47
B12311206 .....	47
B12311207 .....	47
B12311208 .....	47
B12311210 .....	47
B12311211 .....	47
B12311212 .....	47
B12311214 .....	47
B12311215 .....	47
B12311216 .....	47
B12311218 .....	47
B12311219 .....	47
B12311220 .....	47
B12311221 .....	47
B12311222 .....	47
B12311224 .....	47
B12311225 .....	47
B12311226 .....	47
B12311234 .....	47
B12311235 .....	47
B12311239 .....	47
B12311241 .....	47
B12311244 .....	47
B12311247 .....	47
B12311248 .....	47
B12311249 .....	47
B12311252 .....	47
B12311301 .....	47
B12311302 .....	47
B12311304 .....	47
B12311401 .....	49
B12323401 .....	47
B12323901 .....	47
Coin Drop Power Harness	
B12530201 .....	45
Computer Board	
9002063 .....	45
Contact Harness	
B12491701 .....	25, 27, 29, 31, 35, 39, 43
B12491801 .....	25, 27, 29, 31, 35, 39, 43

N/A items do not appear in index.

Contact Switch	
209/00029/26 .....	25, 27, 29, 31, 35, 39, 43
209/00099/26 .....	25, 27, 29, 31, 35, 39, 43
Control Board	
B12355701 .....	61
Control Communication Harness	
B12348801 .....	61
Control Panel	
B12570101 .....	27
B12570201 .....	27
B12572301 .....	39, 41
Control Supply Harness	
B12348101 .....	61
B12348103 .....	63
B12348301 .....	61
B12348303 .....	63
B12381402 .....	61
Counter Ring	
219/00004/00 .....	15

## D

Data Card Ribbon Assembly	
B12538301 .....	25, 27, 31, 33, 35, 37
Datacard	
209/02024/00 .....	25, 27, 31, 33, 35, 37
Datacard Cover	
223/00348/00 .....	25, 27, 31
Detergent PC-Board	
209/02005/00 .....	57
209/02008/00 .....	57
DIN Rail	
B12315301 .....	61, 63
B12315401 .....	57, 59
Direct Fill and Central Payment Harness	
B12531301 .....	45
Direct Fill Harness	
B12392701 .....	61
B12392704 .....	63
B12392705 .....	45
Dispenser Assembly	
F8047401 .....	67
Dispenser Gasket	
B12568601 .....	67
Dispenser Overflow Hose	
B12313303 .....	67
B12313304 .....	67
Display	
209/00580/03 .....	43
Display PC-Board	
209/02002/ZB2 .....	25, 27, 29
Door Frame	
B12337201 .....	23, 51
Door Glass	
B12449801 .....	23
Door Glass Seal	
223/00068/00 .....	23
Door Handle	
B12336301 .....	23
B12336302 .....	23
Door Handle Stop	
217/00016/00 .....	23

Door Hinge Block	
253/00022/00 .....	23
Door Hinge Blocking Plate	
B12565001 .....	23
Door Hinge Spacer	
118/00124/00 .....	23
Door Lock Assembly	
B12517701 .....	21
Door Lock Harness	
B12495001 .....	21
B12495002 .....	21
Door Lock Microswitch	
209/00272/00 .....	21
Door Lock PC-Board	
B12388201 .....	25, 27, 29, 31, 33, 35, 37, 39, 41
Door Solenoid Assembly	
B12518101 .....	21
Drain Pipe	
223/00106/00 .....	19
Drain Tub to Drain Valve Hose	
B12403101 .....	19
Drain Valve Cover	
223/00225/00 .....	19
Drain Valve Fuse Harness	
B12495801 .....	19
Drain Valve Harness	
B12349401 .....	19
Drain Valve Kit	
B12630701 .....	19
Drain Valve Overflow Plug	
223/00086/00 .....	19
Drain Valve to Drain Tube Hose	
223/00328/00 .....	19
Drive Source Harness	
B12495601 .....	55
Drive Stop or Bypass Harness	
B12348904 .....	45
Dual Drain Kit	
B12428201 .....	19
Dual Heat Harness	
B12349803 .....	69
Dual Heat Sticker	
B12523901 .....	25, 27, 29, 31, 35, 39

## E

Earth Plate Bottom	
B12395301 .....	61, 63
Earth Plate Side	
B12395201 .....	61, 63
Electric Heat Harness	
B12349603 .....	69
B12349604 .....	69
Electrical Component Mounting Plate	
B12313001 .....	61
B12313002 .....	63
Electronic Coin Meter Housing	
152/00112/50 .....	49
End Stop	
209/00633/02 .....	57, 59, 61, 63
E-Stop Bypass Harness	
B12349001 .....	33, 37, 41

N/A items do not appear in index.

E-Stop Drive Fan Harness	
B12501501	55
B12501502	55
E-Stop Drive Harness	
B12348903	43
E-Stop Harness	
B12348901	25, 27, 29, 31, 35, 39
B12348902	43
Ethernet Cable	
B12350101	55
Expansion Clip	
70030501	61, 63, 67
Extension Board Kit	
B12529201	57

## F

Fan	
209/00465/00	55
Fan Mounting Plate	
B12357201	55
Fastening Piece	
217/00060/00	47, 49
Fastening Rubber	
247/00006/00	9
247/00007/00	9
Fill Hose	
B8498901	67
Flat Cable	
9001417	45
Flat Cable Plate	
B12382501	57
Frame	
B12316201	7
B12316301	7
Front Panel	
B12354401	51
111/01004/00	45
Fuse	
B12360001	61
B12389501	55
209/00372/01	45, 63
209/00468/00	55
802492	61, 63
Fuse Holder Body	
70329401P	61, 63
Fuse Holder Cap	
70329501	61, 63

## G

Gasket	
246/00149/00	53
Ground Lug Connector	
M411283	57, 59

## H

Hardware Kit	
F407P4	13

Heat Harness	
B12455803	69
B12455804	69
B12455903	69
B12455904	69
Heating Contactor	
209/06148/02	61, 63
Heating Element	
209/00562/20	69
209/00563/20	69
209/00564/20	69
Heating Element Plug	
209/00196/00	69
Heating Harness	
B12381301	69
Hinge	
221/00004/00	23
Hose Clamp	
223/00010/00	19, 67
223/00011/00	67
223/00013/00	19, 67
223/00014/00	19, 67
223/00223/00	19, 67

## I

ID Chip	
209/02020/00	61
Infrared Cable	
210/00902/00	25, 27, 29, 31, 33, 35, 37, 39, 41
Inlet Valve	
209/00276/00	67
Inlet Valve Harness	
B12349201	67
B12349202	67
Insert	
B12463001	67
Insulating Sticker	
229/00255/00	45
229/00268/00	25, 27, 29
229/00291/00	31, 33
Inverter	
F8645401P	55
227/00238/00	55
Inverter Air Inlet Filter Frame	
B12346701	55
Inverter Air Inlet Filter Grill	
B12382401	55
Inverter Drive	
F8645301P	55
227/00230/00	55
Inverter Drive Box	
B12333201	55

## K

Key	
254/00077/02	47, 49
70155603	51
Key Switch Harness	
B12495501	43

N/A items do not appear in index.

---

**L**

Leveling Leg	
252/00006/00 .....	7
Lip Seal	
B12332301 .....	13
Logo	
B8443101 .....	27
Logo Decal	
225/00436/00 .....	43
Lower Front Panel	
B12343301 .....	53
Lower Rear Panel	
B12332901 .....	51

---

**M**

Magnet	
B12363301 .....	23
Magnet Holder	
B12389701 .....	23
Main Control	
B12565801 .....	63
209/0058000/98 .....	45
Main Control Tray Harness	
B12381101 .....	61
B12381103 .....	63
Main Switch Cover	
B12312501 .....	53
Manifold	
F8333201 .....	67
Mechanical Coin Meter Housing	
152/00112/00 .....	47
Memory Card PC-Board	
B12305201 .....	25, 27, 31, 33, 35, 37
Microswitch	
B12625101 .....	21
Motor	
B12527601 .....	17
Motor Harness	
B12382102 .....	17
Motor Pulley	
226/00123/00 .....	17
Mounting Plate	
223/00374/00 .....	25, 27, 29, 31, 33, 35, 37, 39, 41
Mushroom Pushbutton	
209/00248/00 .....	43
209/00248/20 .....	25, 27, 29, 31, 35, 39

---

**N**

Nameplate	
B12389801 .....	25, 29, 31, 33, 35, 37, 39, 41
B12389802 .....	25, 29, 31, 35, 37
B12389803 .....	35, 37
B12389805 .....	31, 33
B12389809 .....	35, 37
B12389810 .....	35, 37
Network Board	
B12344201 .....	57

Network Connection Wiring	
B12390201 .....	61
Network Kit	
B12529301 .....	57
Noise Filter	
B12339401 .....	55
227/00242/00 .....	55
Nut	
B12509101 .....	51
204/00005/00 .....	65
204/00007/00 .....	65
204/00008/00 .....	43
204/00009/00 .....	11, 53
204/00011/00 .....	53, 55
204/00014/00 .....	55
204/00106/00 .....	23
204/00107/00 .....	53
204/00109/00 .....	17
204/00110/00 .....	9, 11, 65
204/00111/00 .....	7, 13
204/00114/00 .....	55
204/00116/00 .....	25, 27, 29, 31, 33, 35, 37, 39, 41, 43, 45, 47, 49, 57, 59
204/00201/00 .....	19, 67
206/00101/00 .....	19, 57
206/00106/00 .....	7
206/00109/00 .....	59
211/00170/00 .....	55

---

**O**

Operating Panel	
B12354101 .....	33
B12356201 .....	35
B12356301 .....	37
B12356401 .....	25, 29
B12356501 .....	31
B12436301 .....	43
Operating Sticker	
B12382701 .....	35
B12382801 .....	35
B12382901 .....	37
B12383001 .....	35
B12383101 .....	35
B12383201 .....	37
B12383301 .....	31
B12383401 .....	31
B12383501 .....	33
B12383601 .....	25, 27
B12383701 .....	25
B12456501 .....	37
B12456701 .....	31
B12531801 .....	31, 35
B12531901 .....	31
B12532001 .....	25
Operation Panel	
B12523401 .....	45
B12540601 .....	45
Optical Coin Drop Switch	
B12359902 .....	47, 49
Optical Switch	
209/00781/00 .....	47
O-Ring	
217/00021/00 .....	23
Outlet Pipe Plate Assembly	
101/00007/00 .....	19, 53

N/A items do not appear in index.

Out-of-Balance Switch 209/00255/00 .....	65
Out-of-Balance Switch Boot 223/00246/00 .....	65
Out-of-Balance Switch Harness B12349902 .....	65
Out-of-Balance Switch Wiring Harness B12349901 .....	65
Overflow Hose 223/00100/00 .....	19
Overlay	
B12389804 .....	25, 31, 33, 35, 37
B12524901 .....	45
B12568901 .....	27
B12574901 .....	39, 41
B12583801 .....	29
F8435601 .....	43
225/00388/00 .....	43
225/00435/00 .....	43

## P

Panel Lock 44089303P .....	51
Parameter Unit Assembly 227/00171/00 .....	55
Parameter Unit Program Cable 227/00171/10 .....	55
Plexi Frame	
225/00321/00 .....	25, 27, 29
225/00322/00 .....	35, 37, 39, 41
225/00323/00 .....	31, 33
Power Jumper Harness B12381204 .....	69
Pressure Hose	
B12687401 .....	67
B12700018 .....	61, 63
223/00333/00 .....	19
Pressure Switch B12548301 .....	61, 63
Pressure Switch Cap 223/00035/02 .....	19, 61, 63
Pressure Switch Hose Tee 223/00173/10 .....	19, 61, 63
Prewash and Mainwash Nozzle 223/00001/04 .....	19, 67
Printboard	
B12341801 .....	61
209/02001/02 .....	35, 37, 39, 41
209/02015/02 .....	31, 33
Printboard Separator 211/00128/00 .....	25, 27, 29, 31, 33, 35, 37
Printboard Support B12312401 .....	57, 59
Printboard Support Card 111/01893/00 .....	25, 27, 31
Programming Cable B12388303 .....	45
Programming Key 209/00326/21 .....	43
Programming Key Contact Switch 209/00326/20 .....	43

Protection LED 223/00330/00 .....	35, 37, 39, 41
Pulley 255/00117/00 .....	15
Pushbutton 209/00396/00 .....	47, 49

## R

Reed Switch Holder B12517601 .....	21
Reinforcement Plate 111/10089/01 .....	51
Relay B12308001 .....	69
Relay PC-Board	
209/02014/00 .....	57
209/02016/00 .....	57
Retainer Ring 212/00006/00 .....	13
Retaining Ring 117/00042/00 .....	53
Ribbon Assembly	
B12388301 .....	57
B12388302 .....	43
B12388305 .....	43
Rivet	
B12500301 .....	23
208/00017/00 .....	55, 57, 59, 61, 63
208/00027/00 .....	61, 63

## S

Screw	
B12393801 .....	57, 59, 61, 63
B12462801 .....	67
B12462901 .....	61, 63, 67
B12500601 .....	53
B12500801 .....	23
206/00053/00 .....	7
206/00057/00 .....	13
206/00058/00 .....	17
206/00104/00 .....	51, 53, 55, 57, 59, 65
207/00018/00 .....	65
207/00102/00 .....	21
207/00126/00 .....	23
Seal Plate Assembly B12333701 .....	13
Shipping Brace 185/00009/12 .....	7
Shock Absorber	
247/00002/00 .....	9
247/00002/02 .....	9
247/00003/00 .....	9
247/00004/00 .....	9
Side Panel	
111/22723/10 .....	51, 53
111/22728/10 .....	51, 53
111/60035/00 .....	51, 53
111/60036/00 .....	51, 53
Side Panel Gasket 246/00079/00 .....	51, 53

N/A items do not appear in index.

Side Plate			Terminal End		
B12354201 .....	53		209/01625/01 .....	57, 59	
B12354301 .....	53		Thermostat		
Siphon Break Hose			210/01064/16 .....	61, 63	
B12324506 .....	67		Thermostat Grommet		
Siphon Cover			225/10004/00 .....	61, 63	
F8047901 .....	67		Tilt Detector Plate		
Soap Board Harness			B12529401 .....	11	
B12495702 .....	59		111/01854/00 .....	65	
Soap Dispenser Cover Hinge Rod			Tilt Switch Support		
223/00103/04 .....	51		111/01855/00 .....	65	
Soap Injection PCB with Fuse			111/01856/00 .....	65	
209/00218/13 .....	59		Tolerance Ring		
Spacer			215/00004/00 .....	15	
211/00107/00 .....	45		Top Cover Hinge		
211/00140/00 .....	43		F8258601 .....	53	
Speed Detector			Top Cover Latch		
210/00074/00 .....	13		F8201001 .....	53	
Speed Detector Bracket			Top Panel		
152/00055/00 .....	13		B12333001 .....	51	
Spring Holder Top			B12333101 .....	51	
247/00001/04 .....	9		111/01003/00 .....	45, 47, 49	
Spring Seat Bottom			Transformer		
247/00001/03 .....	9		F8401301 .....	61, 63	
Standoff			201616P .....	61	
B12390301 .....	57, 59, 61, 63		Transformer Fuse Mounting Plate		
211/00122/00 .....	25, 27, 29, 31, 33		B12439601 .....	61	
211/00145/00 .....	25, 27, 31		B12439701 .....	63	
Steam Heat Harness			Tub		
B12349701 .....	69		B12328901 .....	11	
B12349704 .....	69		B12329001 .....	11	
Steam Valve Harness			B12329201 .....	11	
B12382302 .....	69		B12329301 .....	11	
Strain Relief Connector			Tub Front Gasket		
200/00181/00 .....	55		B12351601 .....	11	
211/00181/00 .....	17		Tub Front Panel		
Supply Dispenser Cover			B12533201 .....	11	
B12319101 .....	51		Tub Front Panel Clip		
B12356701 .....	51		217/00008/00 .....	11	
Supply Dispenser Cover Frame			Tub Front Ring Clamp		
B12597501 .....	51		219/00007/00 .....	11	
Supply Dispenser Crossbar			Tub Support		
B12333301 .....	53		B12508601 .....	7	
B12333401 .....	53		B12508701 .....	7	
Supply Dispenser Mounting Plate					
B12335101 .....	67				
Supply Dispenser Support					
B12316401 .....	67				
Suspension Spring					
247/00001/01 .....	9				
247/00002/01 .....	9				
Switch Base					
209/00099/25 .....	69				
Switch Knob					
209/00099/29 .....	25, 27, 29, 31, 35, 39, 69				
<hr/>					
<b>T</b>			<b>V</b>		
Telem Sticker			Vacuum Breaker Cover		
209/00520/00 .....	25, 27, 29, 31, 35, 39, 43		B12532304 .....	67	
Terminal Block			Vacuum Breaker Housing		
209/01624/00 .....	57, 59		F8439201 .....	67	
209/01625/00 .....	57, 59		Vacuum Supply Hose		
			B12390004 .....	67	
			B12390005 .....	67	
			Valve, 3-Way		
			F8286401P .....	67	
			F8286402P .....	67	
			Vibration/Noise Reduction Kit		
			B12611901 .....	51	
			Voltage Discharge Decal		
			B12355001 .....	55	

N/A items do not appear in index.

---

## W

### Washer

201/00002/00 .....	19, 67
201/00003/00 .....	15
201/00005/00 .....	7
201/00006/00 .....	65
201/00007/00 .....	11, 19
201/00010/00 .....	9, 11, 65
201/00012/00 .....	13
201/00015/00 .....	9, 17
201/00201/00 .....	13
202/00003/00 .....	13, 53
202/00004/00 .....	55, 57, 59, 61, 63
202/00101/00 .....	23
202/00104/00 .....	23
202/00110/00 .....	23
203/00001/00 .....	15
203/00004/00 .....	13, 53
203/00005/00 .....	53
203/00006/00 .....	55, 65
203/00007/00 .....	43
208/00009/00 .....	53
223/00123/00 .....	25, 27, 29, 31, 33, 35, 37, 39, 41, 43, 57, 59, 61, 63

### Water Hose

F200164 .....	67
F200166 .....	67
223/00044/00 .....	19, 67

### Water Valve Adapter

223/00050/01 .....	67
--------------------	----

### Wire Harness Assembly

B12309901 .....	47, 49
B12310001 .....	47, 49

### Wiring Earth for Inverter

B12456001 .....	57, 59
-----------------	--------

### Wiring Earth for Tub

B12456002 .....	11
-----------------	----

---

